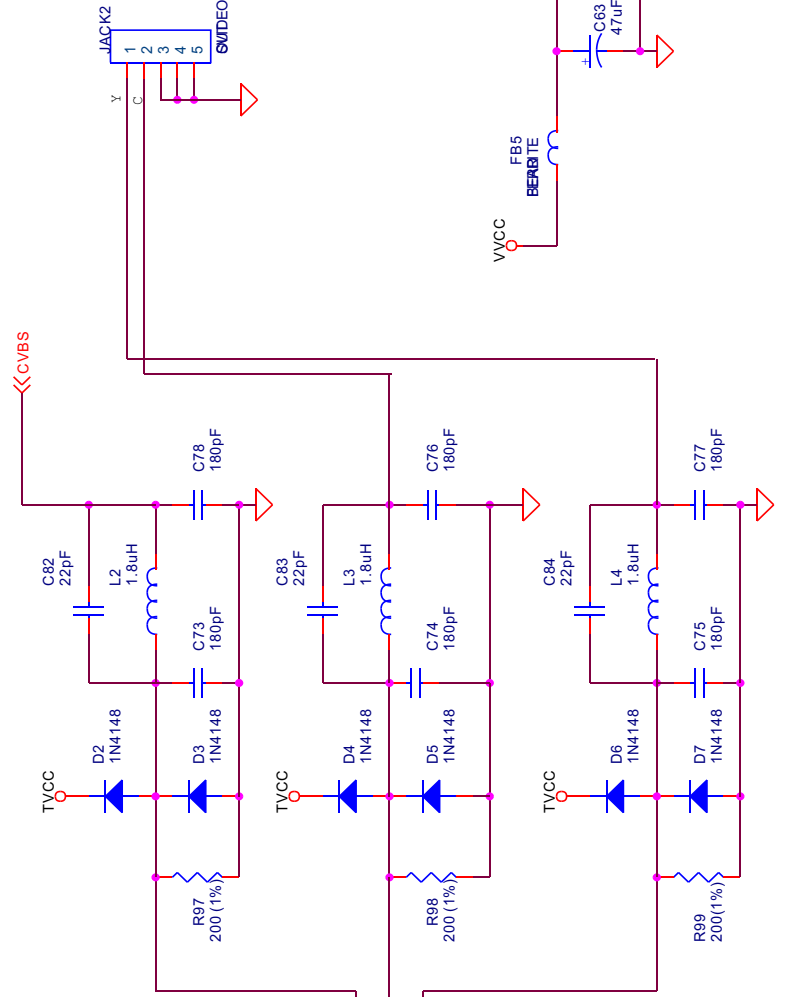
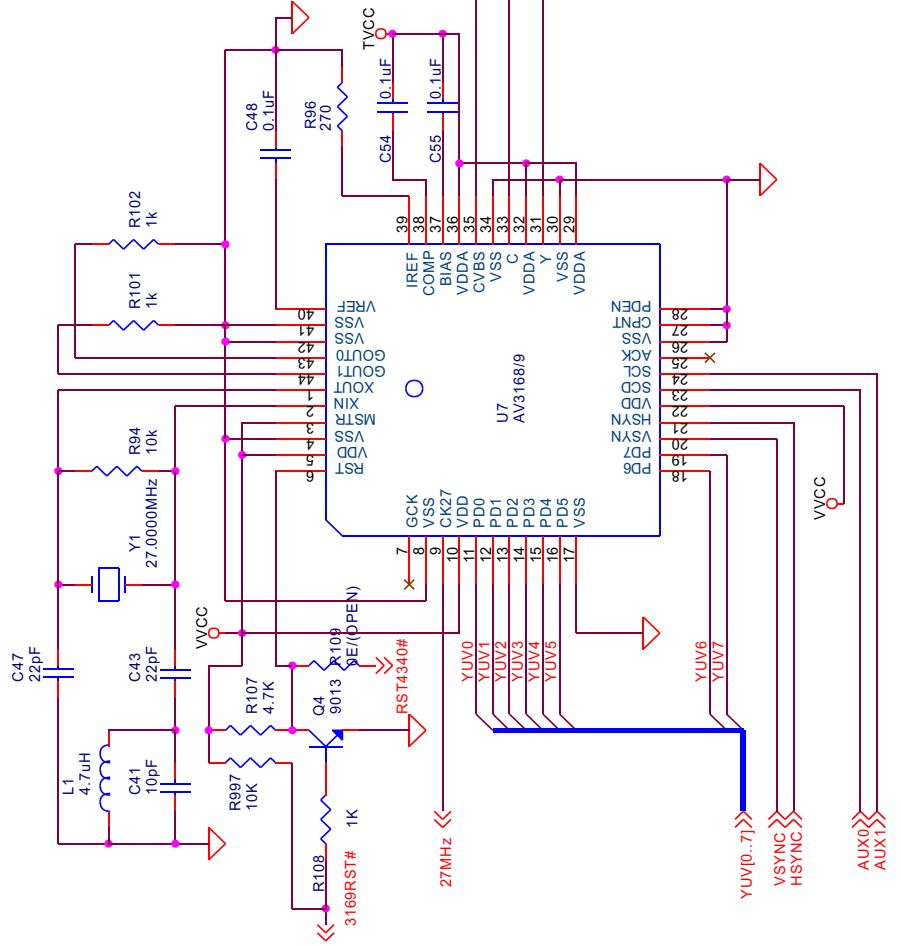
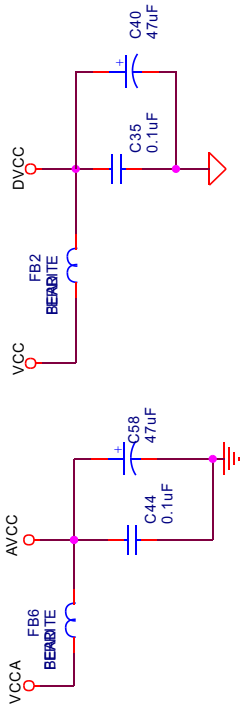
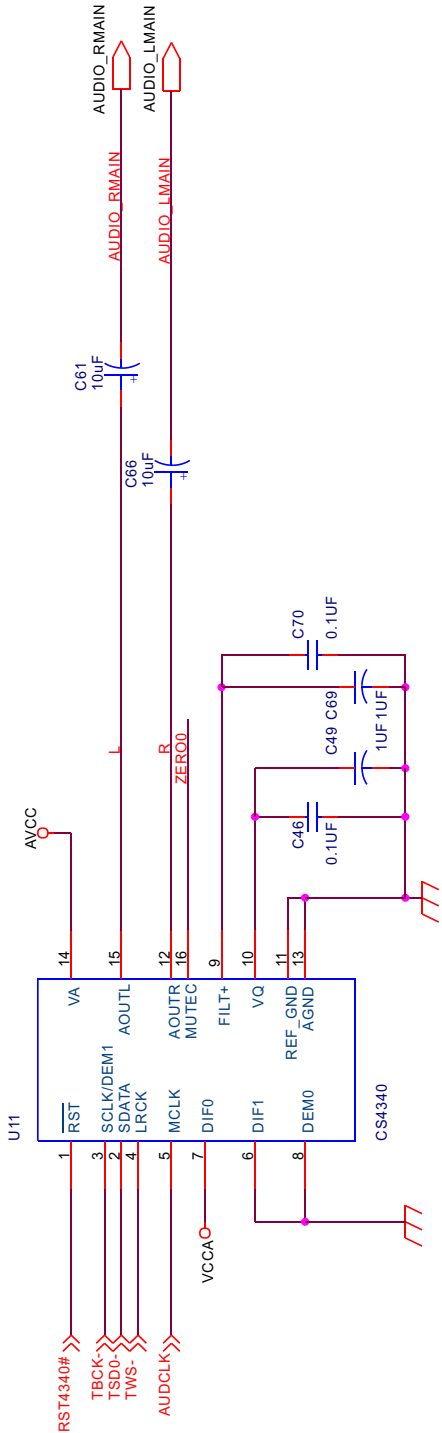
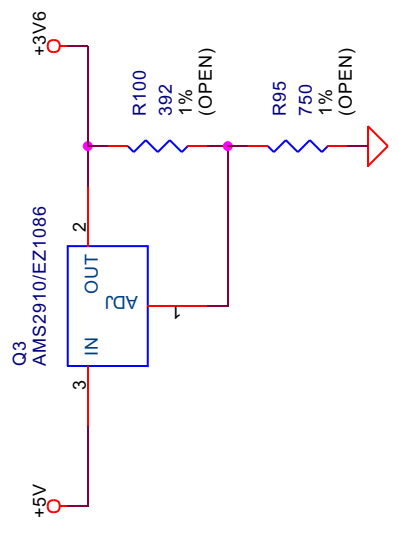
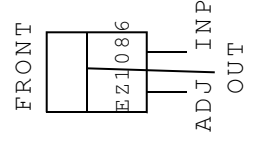
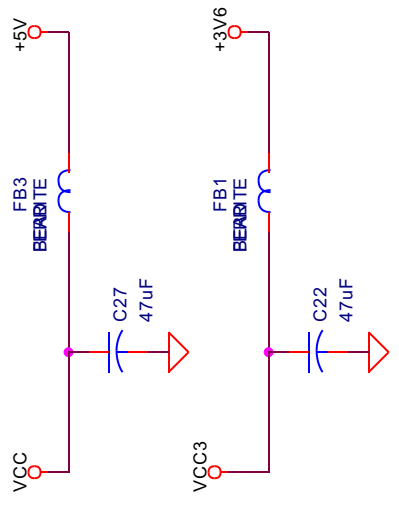
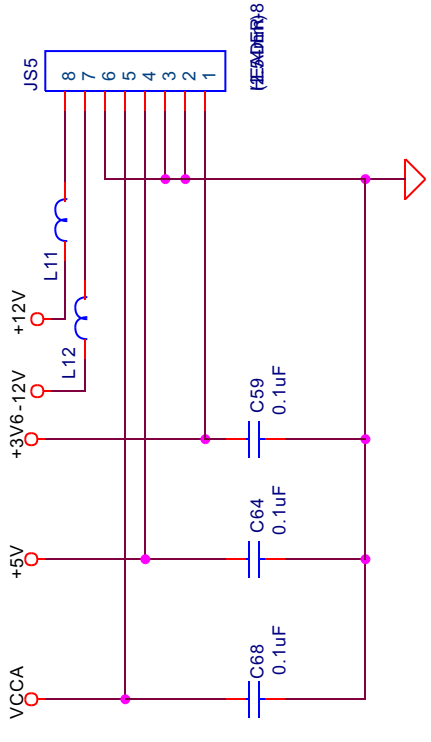
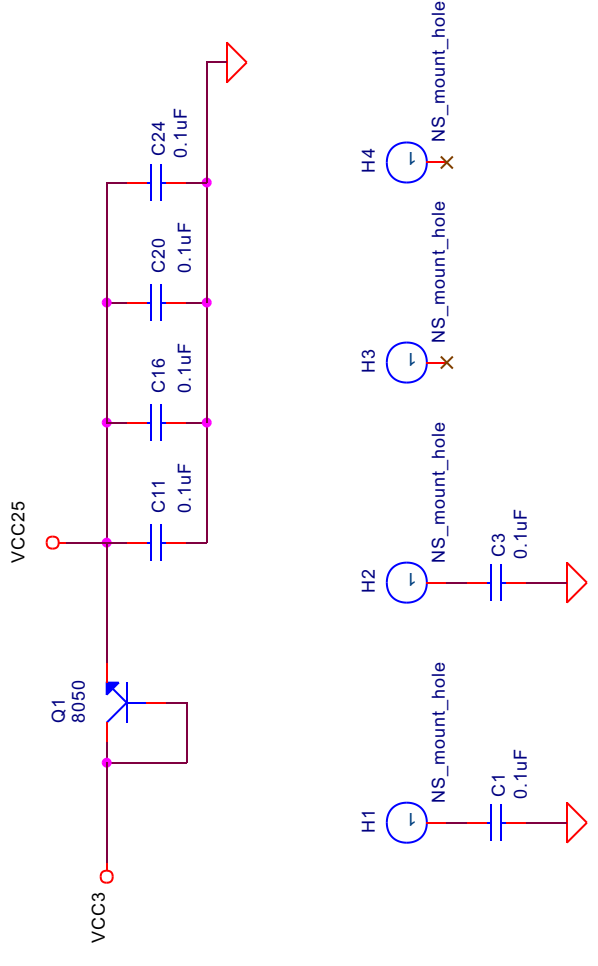
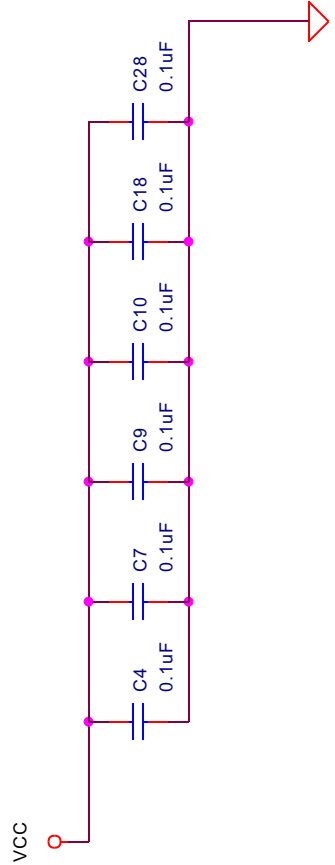
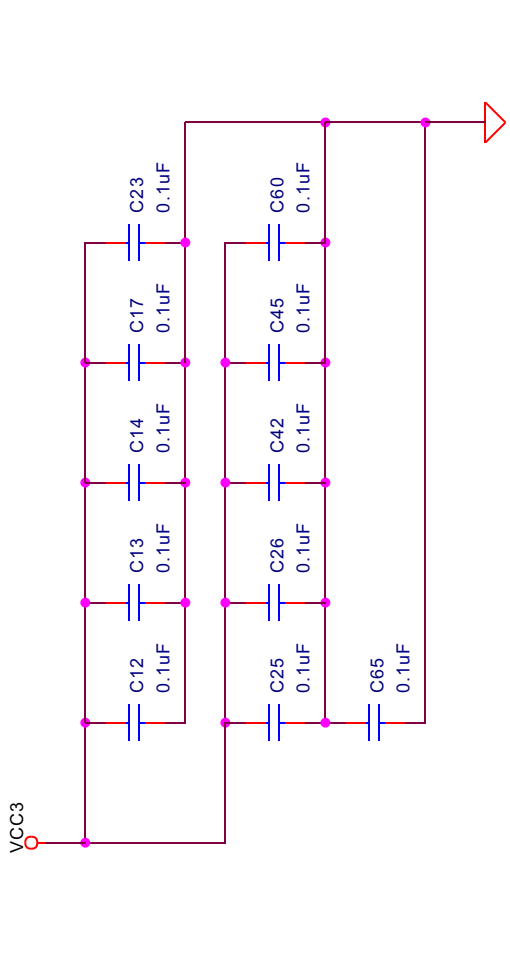
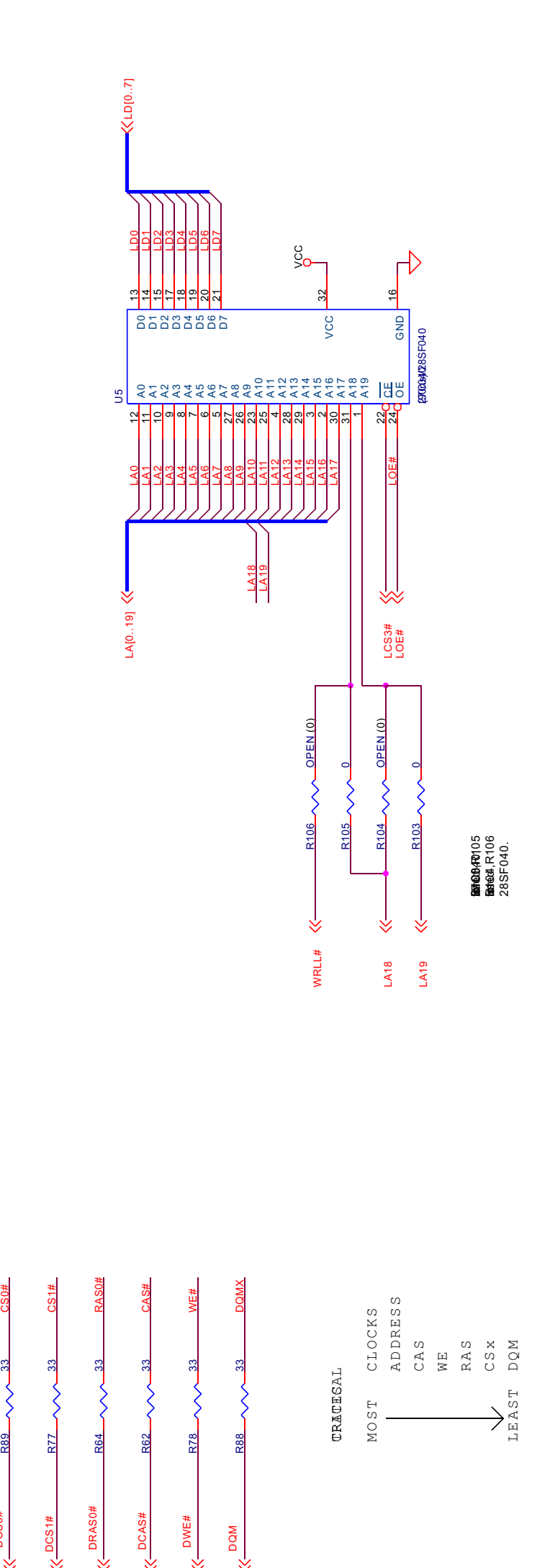
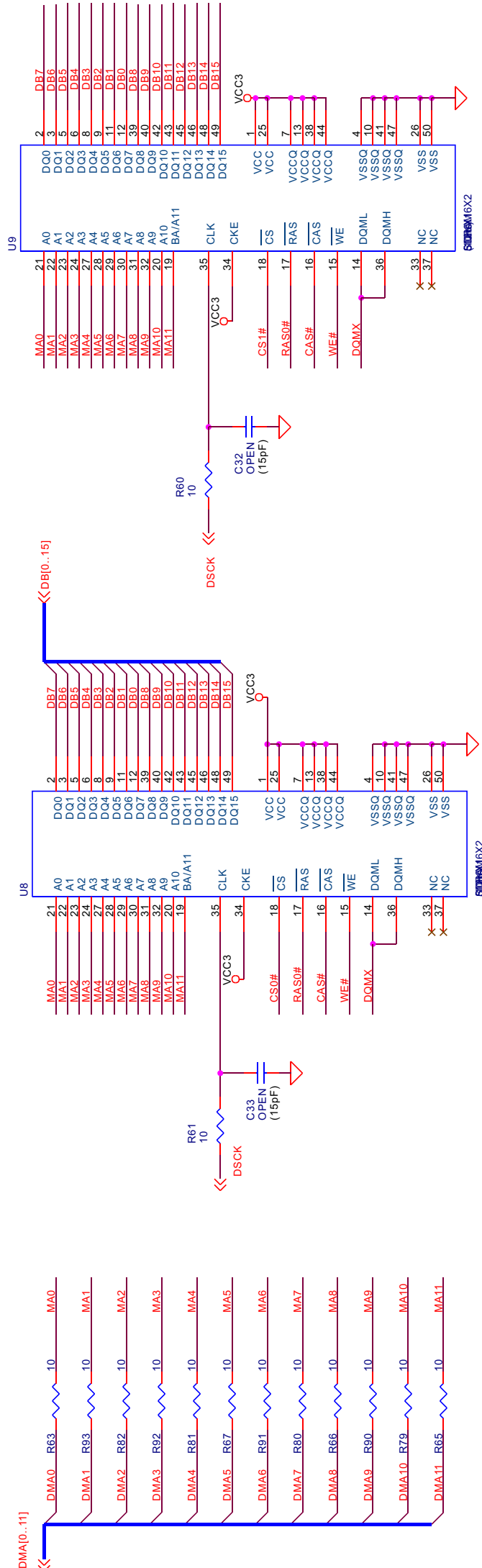


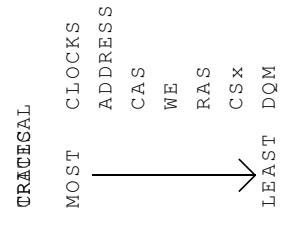
SWAN ES4318







64KB 28SF040
 64KB 28SF040
 28SF040



AV3168 (POM1720) & AV3168/9) BOARD

ESAS08

| LCEx# | FUNCTION |
|-------|-----------|
| 0 | |
| 1 | |
| 2 | EXPAND |
| 3 | ROM/FLASH |

| AUXx | FUNCTION |
|------|-----------|
| 0 | DATA |
| 1 | CLOCK |
| 2 | DATA |
| 3 | AUDIO_CS |
| 4 | INTERRUPT |
| 5 | MEME68/9 |
| 6 | CS# |
| 7 | CE# |

PAGE

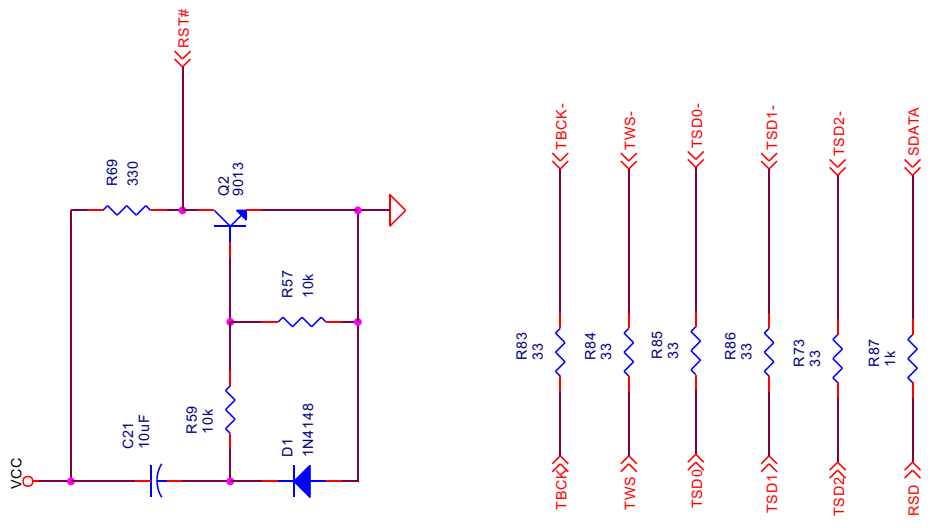
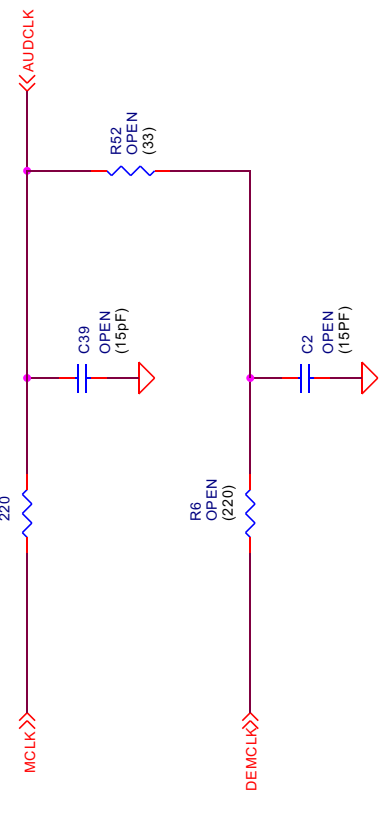
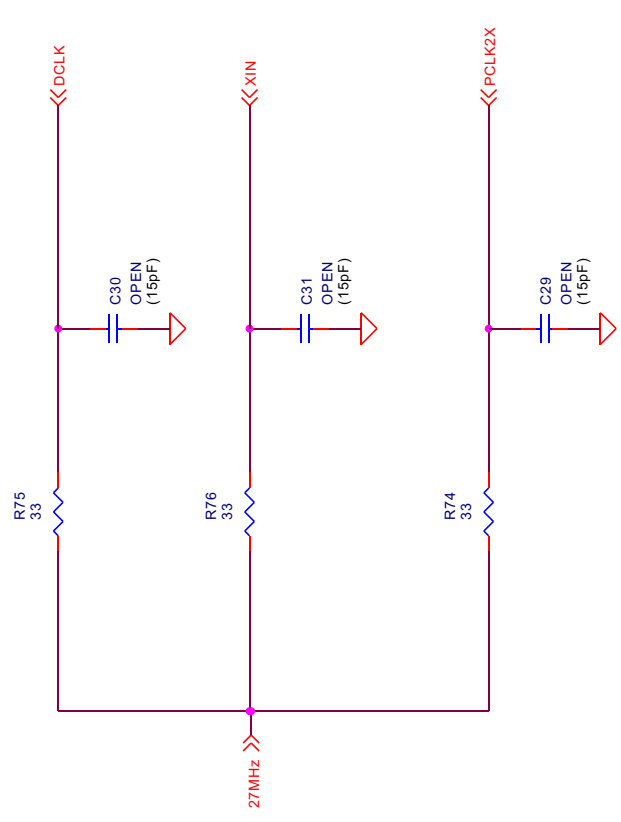
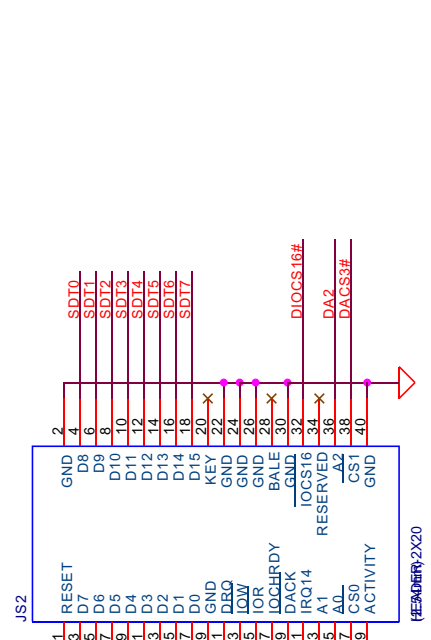
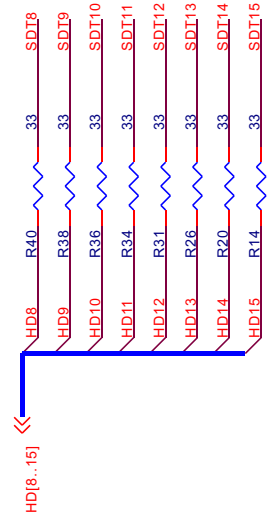
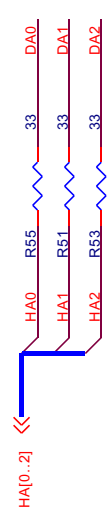
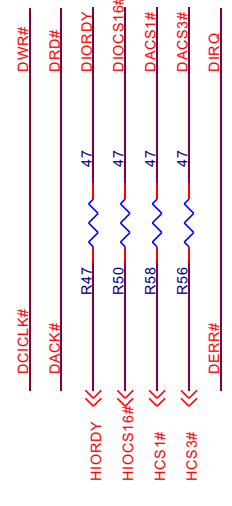
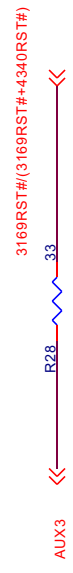
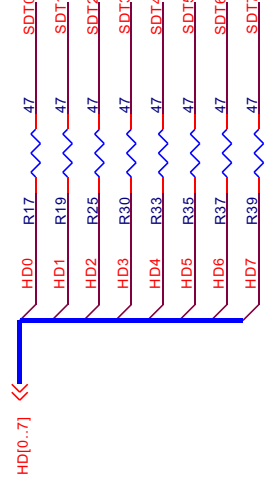
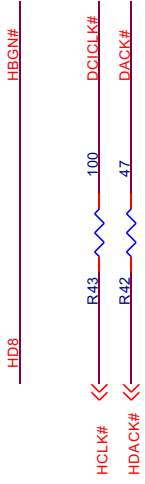
| | |
|---|-------------|
| 1 | INDEX |
| 2 | BOARD |
| 3 | SWAR18 |
| 4 | MEMORY |
| 5 | INTERFACE |
| 6 | VIDEO/AUDIO |
| 7 | BATTERY |
| 8 | Shhdnel |

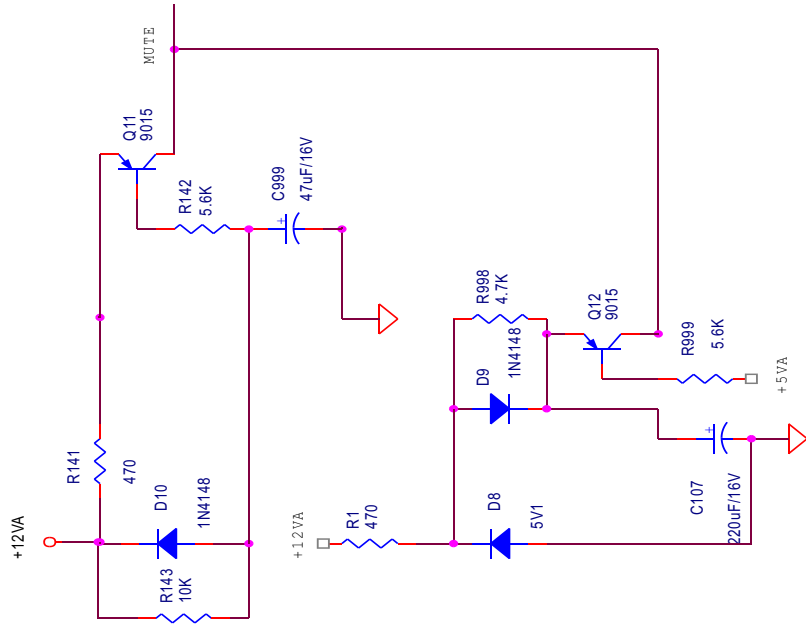
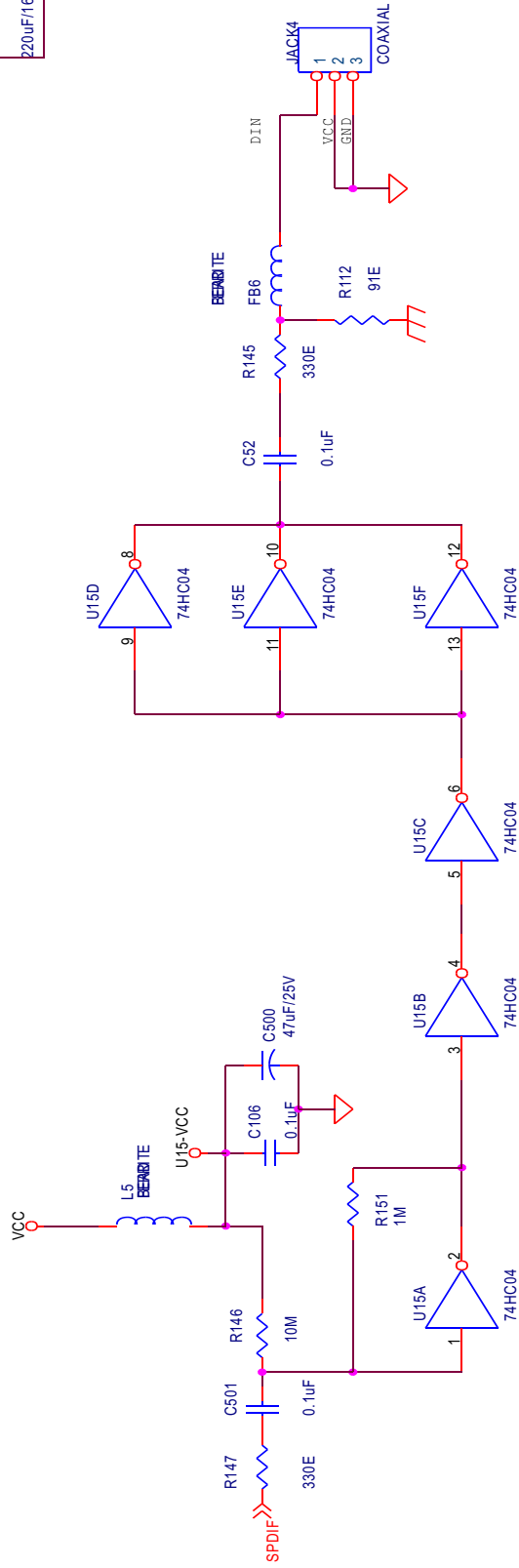
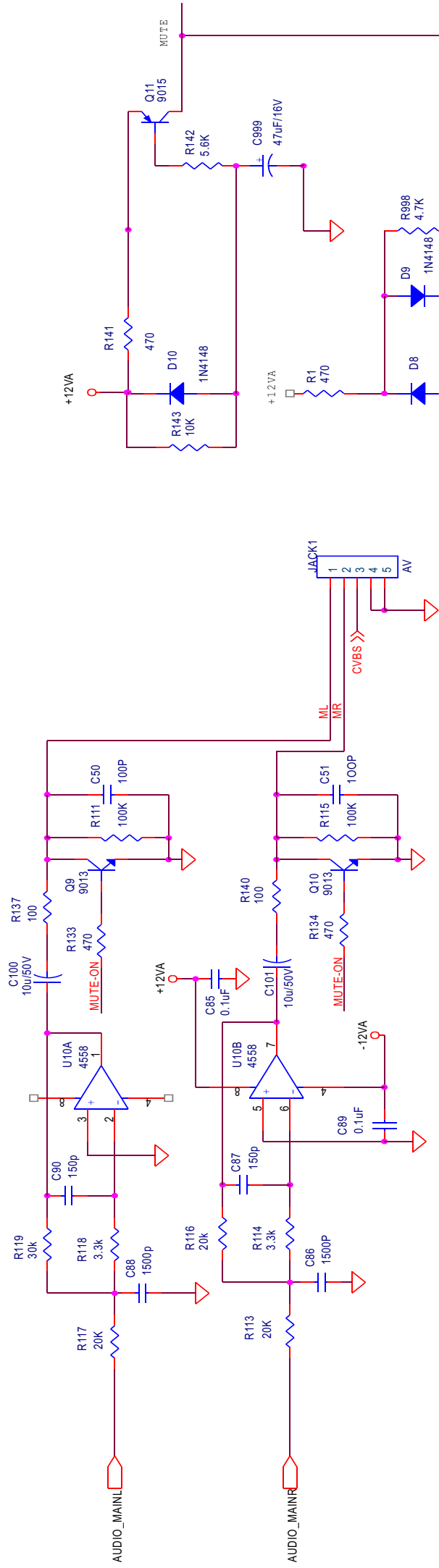
GROUND

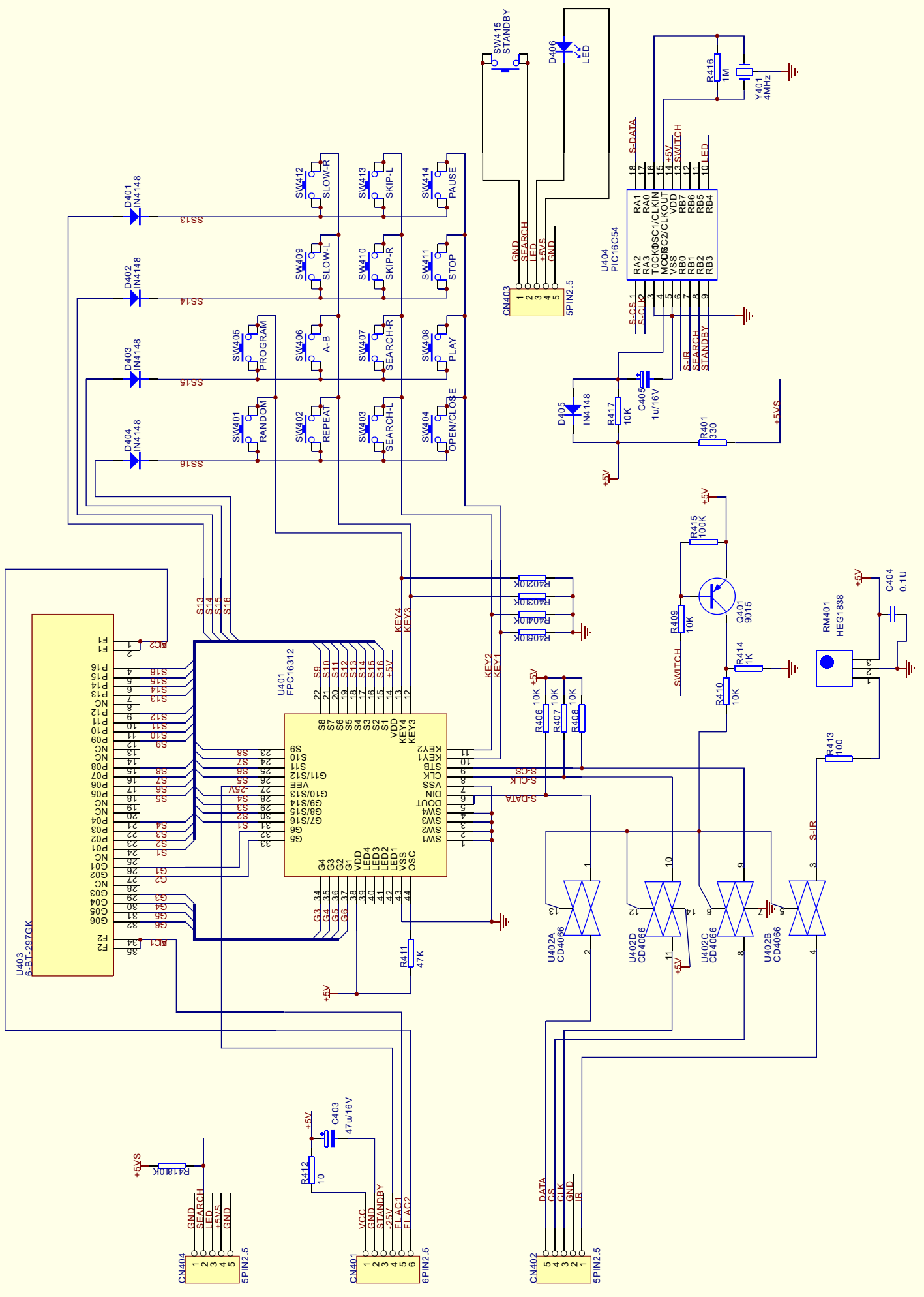
| NAME | TYPE |
|------|---------|
| GND | GENERAL |
| AGND | GROUND |

POWER

| NAME | TYPE | DEVICE |
|-------|---------|---------|
| +5V | DIGITAL | SUPPLY |
| VCC3 | BIGTAL | ESRAM8, |
| VCC25 | DIGTAL | ES4408 |







CN404
 1 GND
 2 SEARCH
 3 LED
 4 +5V5
 5 GND
 5PIN2.5

+5V
 R412 10
 C403 47u/16V

CN401
 1 VCC
 2 GND
 3 STANDBY
 4 FLAG1
 5 FLAG2
 6 5PIN2.5

CN402
 5 DATA
 4 CS
 3 CLK
 2 GND
 1 IR
 5PIN2.5

R406 10K +5V
 R407 10K
 R408 10K

R409 10K
 R410 10K
 R414 1K
 R415 100K +5V

RM401 HEG1838
 C404 0.1U
 +5V

CN403
 1 GND
 2 SEARCH
 3 LED
 4 +5V5
 5 GND
 5PIN2.5

U404 PIC16C54
 RA1 S-DATA
 RA0 S-DATA
 RA3 TOCK/OSC1/CLKIN
 RA2 MCODE/C2/CLKOUT
 RA4 +5V
 VDD VDD
 VSS VSS
 RB7 RB7
 RB6 RB6
 RB5 RB5
 RB4 RB4

R416 1M
 Y401 4MHZ
 R401 3.30
 +5V5

SW415 STANDBY
 D406 LED

D401 IN4148
 SS13

D402 IN4148
 SS14

D403 IN4148
 SS15

D404 IN4148
 SS16

U403 PIC1629ZGK
 T1 T1
 P16 P16
 P15 P15
 P14 P14
 P13 P13
 NC NC
 P12 P12
 P11 P11
 P10 P10
 NC NC
 P09 P09
 NC NC
 P08 P08
 P07 P07
 P06 P06
 NC NC
 P05 P05
 NC NC
 P04 P04
 P03 P03
 P02 P02
 P01 P01
 NC NC
 G02 G02
 G01 G01
 G04 G04
 G03 G03
 G05 G05
 G06 G06
 F2 F2
 F3 F3
 F1 F1

S13
 S14
 S15
 S16

U401 PIC16312
 S8 S8
 S7 S7
 S6 S6
 S5 S5
 S4 S4
 S3 S3
 S2 S2
 S1 S1
 VDD VDD
 VSS VSS

KEY4
 KEY3
 KEY2
 KEY1

U402A CD4066
 U402B CD4066
 U402C CD4066
 U402D CD4066

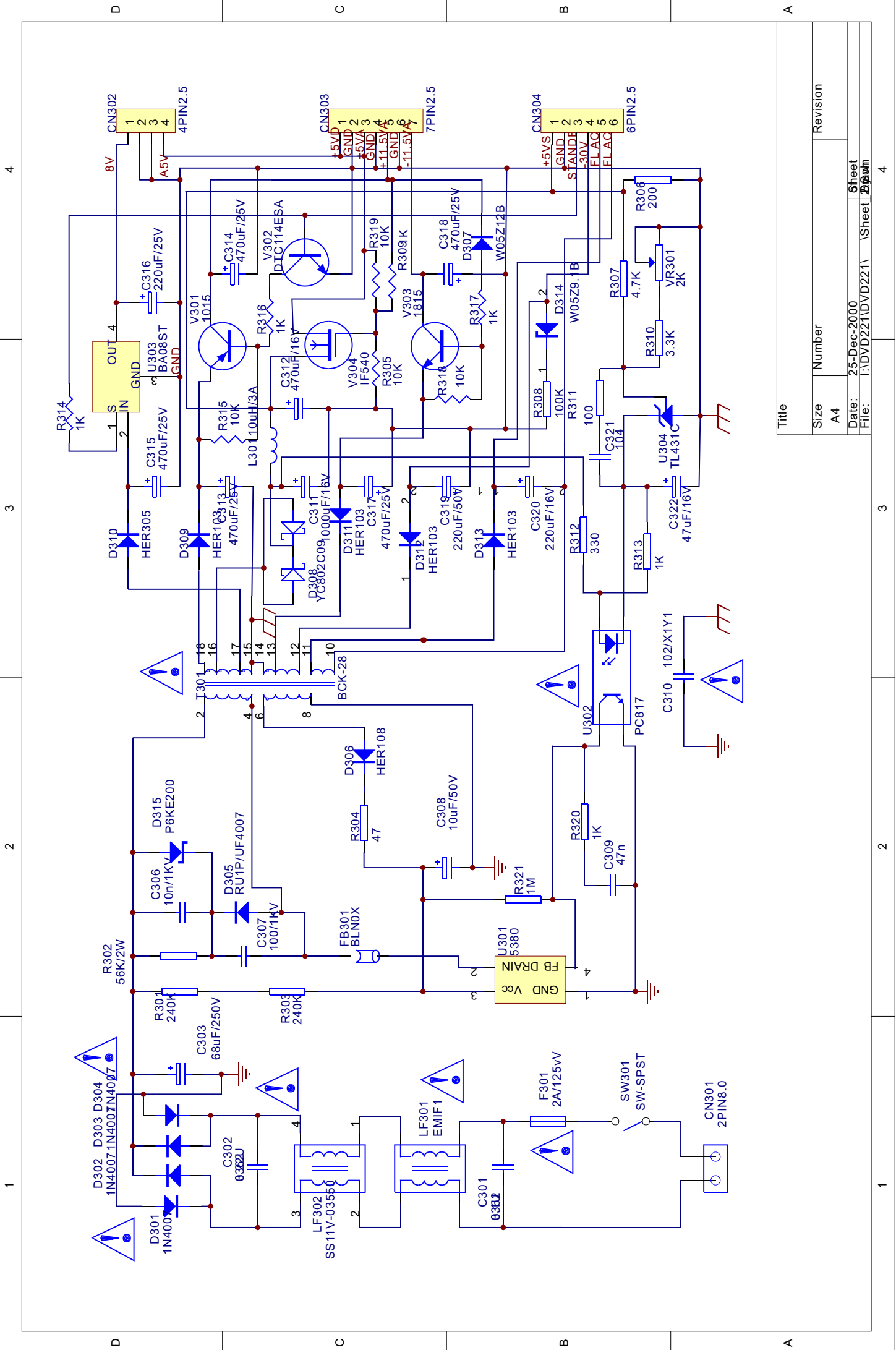
Q401 90T5

SW401 RANDOM
 SW402 REPEAT
 SW403 SEARCH-L
 SW404 OPEN/CLOSE

SW405 PROGRAM
 SW406 A-B
 SW407 SEARCH-R
 SW408 PLAY

SW409 SLOW-L
 SW410 SKIP-R
 SW411 STOP

SW412 SLOW-R
 SW413 SKIP-L
 SW414 PAUSE



| | |
|-------------------|----------|
| Title | |
| Size | Number |
| A4 | |
| Date: | Revision |
| 25-Dec-2000 | |
| File: | Sheet |
| :\D\VD221\DVD221\ | 6/29 |
| | 6/29 |

4

3

2

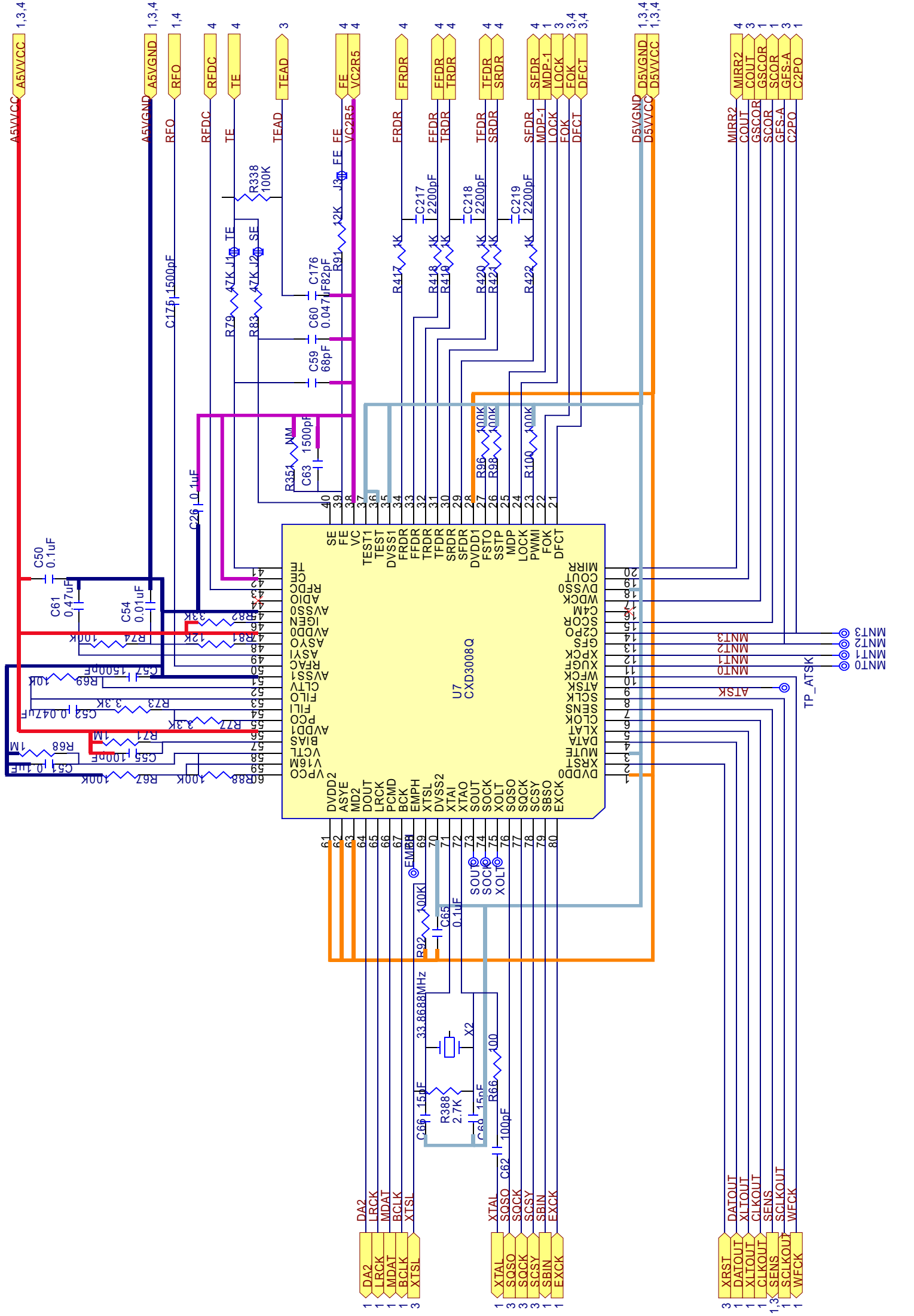
1

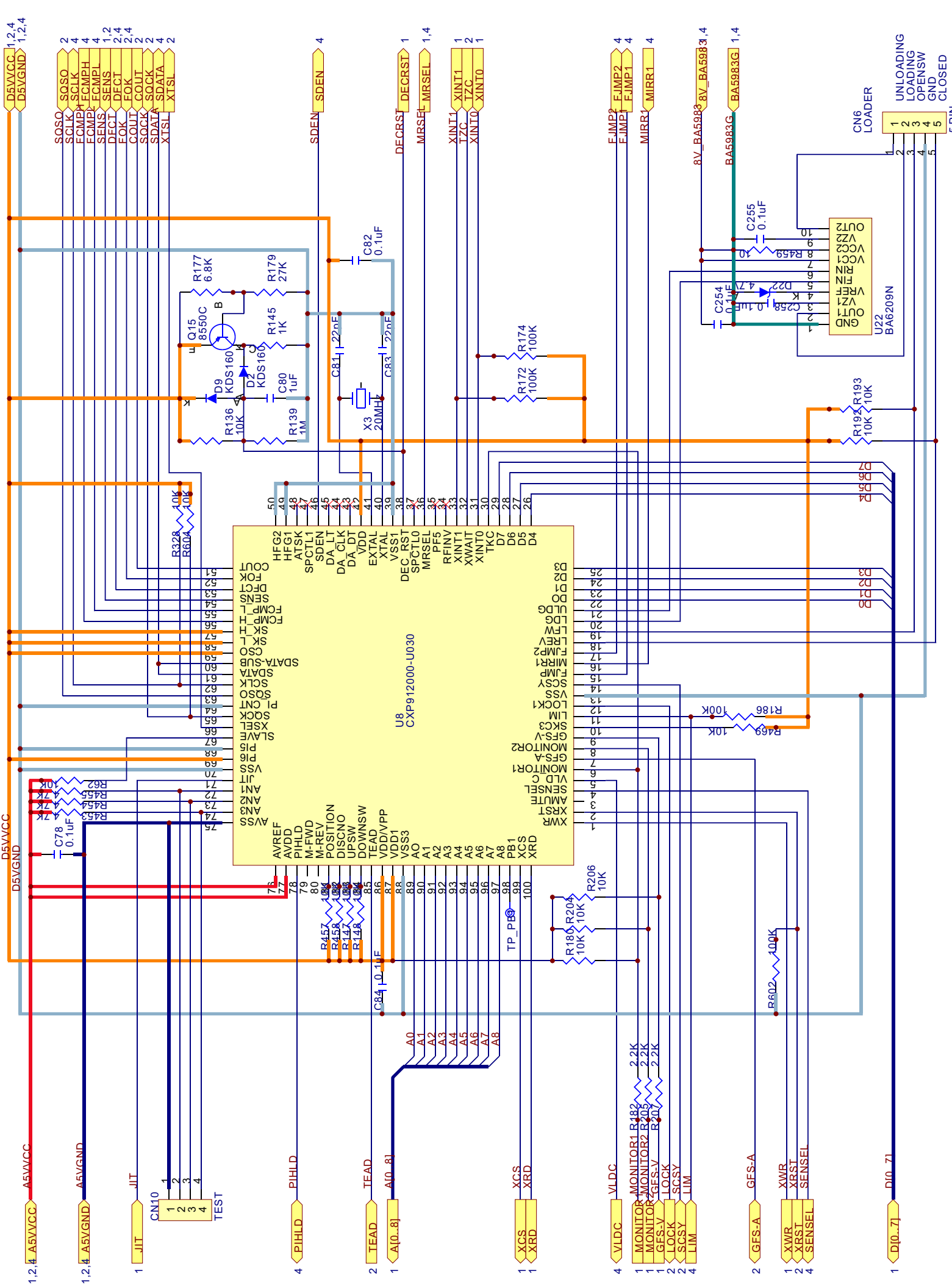
4

3

2

1





1,2,4 D5VVCC

1,2,4 D5VGN

1,2,4 A5VVCC

1,2,4 A5VGN

1 J1T

1 CN10

1 TEST

4 PIHLD

2 TEAD

1 A[0..8]

1,2,4 SCSO

2 SCSO

4 SCLK

4 ECMPH

4 ECMPH

4 SENS

1,2 DECT

2,4 FOK

2,4 FOK

2 SOCK

2 SDATA

2 SDATA

4 XTSL

2 XTSL

4 SDEIN

4 SDEIN

1 DECRST

1 DECRST

1,4 MRSEL

1,4 MRSEL

1 XINT1

1 XINT1

2 TZC

2 TZC

1 XINT0

1 XINT0

4 E_JMP2

4 E_JMP2

4 E_JMP1

4 E_JMP1

8V_BA5983

8V_BA5983

1,4 BA5983G

1,4 BA5983G

1 UNLOADING

1 UNLOADING

2 LOADING

2 LOADING

3 OPENS

3 OPENS

4 GND

4 GND

5 CLOSED

5 CLOSED

5 PIN

5 PIN

5 PIN

5 PIN

5 PIN

5 PIN

1,2,4 D5VVCC

1,2,4 D5VGN

1,2,4 A5VVCC

1,2,4 A5VGN

1 J1T

1 CN10

1 TEST

4 PIHLD

2 TEAD

1 A[0..8]

1,2,4 SCSO

2 SCSO

4 SCLK

4 ECMPH

4 ECMPH

4 SENS

1,2 DECT

2,4 FOK

2,4 FOK

2 SOCK

2 SDATA

2 SDATA

4 XTSL

2 XTSL

4 SDEIN

4 SDEIN

1 DECRST

1 DECRST

1,4 MRSEL

1,4 MRSEL

1 XINT1

1 XINT1

2 TZC

2 TZC

1 XINT0

1 XINT0

4 E_JMP2

4 E_JMP2

4 E_JMP1

4 E_JMP1

8V_BA5983

8V_BA5983

1,4 BA5983G

1,4 BA5983G

1 UNLOADING

1 UNLOADING

2 LOADING

2 LOADING

3 OPENS

3 OPENS

4 GND

4 GND

5 CLOSED

5 CLOSED

5 PIN

5 PIN

5 PIN

5 PIN

5 PIN

5 PIN

1,2,4 D5VVCC

1,2,4 D5VGN

1,2,4 A5VVCC

1,2,4 A5VGN

1 J1T

1 CN10

1 TEST

4 PIHLD

2 TEAD

1 A[0..8]

1,2,4 SCSO

2 SCSO

4 SCLK

4 ECMPH

4 ECMPH

4 SENS

1,2 DECT

2,4 FOK

2,4 FOK

2 SOCK

2 SDATA

2 SDATA

4 XTSL

2 XTSL

4 SDEIN

4 SDEIN

1 DECRST

1 DECRST

1,4 MRSEL

1,4 MRSEL

1 XINT1

1 XINT1

2 TZC

2 TZC

1 XINT0

1 XINT0

4 E_JMP2

4 E_JMP2

4 E_JMP1

4 E_JMP1

8V_BA5983

8V_BA5983

1,4 BA5983G

1,4 BA5983G

1 UNLOADING

1 UNLOADING

2 LOADING

2 LOADING

3 OPENS

3 OPENS

4 GND

4 GND

5 CLOSED

5 CLOSED

5 PIN

5 PIN

5 PIN

5 PIN

5 PIN

5 PIN

1,2,4 D5VVCC

1,2,4 D5VGN

1,2,4 A5VVCC

1,2,4 A5VGN

1 J1T

1 CN10

1 TEST

4 PIHLD

2 TEAD

1 A[0..8]

1,2,4 SCSO

2 SCSO

4 SCLK

4 ECMPH

4 ECMPH

4 SENS

1,2 DECT

2,4 FOK

2,4 FOK

2 SOCK

2 SDATA

2 SDATA

4 XTSL

2 XTSL

4 SDEIN

4 SDEIN

1 DECRST

1 DECRST

1,4 MRSEL

1,4 MRSEL

1 XINT1

1 XINT1

2 TZC

2 TZC

1 XINT0

1 XINT0

4 E_JMP2

4 E_JMP2

4 E_JMP1

4 E_JMP1

8V_BA5983

8V_BA5983

1,4 BA5983G

1,4 BA5983G

1 UNLOADING

1 UNLOADING

2 LOADING

2 LOADING

3 OPENS

3 OPENS

4 GND

4 GND

5 CLOSED

5 CLOSED

5 PIN

5 PIN

5 PIN

5 PIN

5 PIN

5 PIN

1,2,4 D5VVCC

1,2,4 D5VGN

1,2,4 A5VVCC

1,2,4 A5VGN

1 J1T

1 CN10

1 TEST

4 PIHLD

2 TEAD

1 A[0..8]

1,2,4 SCSO

2 SCSO

4 SCLK

4 ECMPH

4 ECMPH

4 SENS

1,2 DECT

2,4 FOK

2,4 FOK

2 SOCK

2 SDATA

2 SDATA

4 XTSL

2 XTSL

4 SDEIN

4 SDEIN

1 DECRST

1 DECRST

1,4 MRSEL

1,4 MRSEL

1 XINT1

1 XINT1

2 TZC

2 TZC

1 XINT0

1 XINT0

4 E_JMP2

4 E_JMP2

4 E_JMP1

4 E_JMP1

8V_BA5983

8V_BA5983

1,4 BA5983G

1,4 BA5983G

1 UNLOADING

1 UNLOADING

2 LOADING

2 LOADING

3 OPENS

3 OPENS

4 GND

4 GND

5 CLOSED

5 CLOSED

5 PIN

5 PIN

5 PIN

5 PIN

5 PIN

5 PIN

1,2,4 D5VVCC

1,2,4 D5VGN

1,2,4 A5VVCC

1,2,4 A5VGN

1 J1T

1 CN10

1 TEST

4 PIHLD

2 TEAD

1 A[0..8]

1,2,4 SCSO

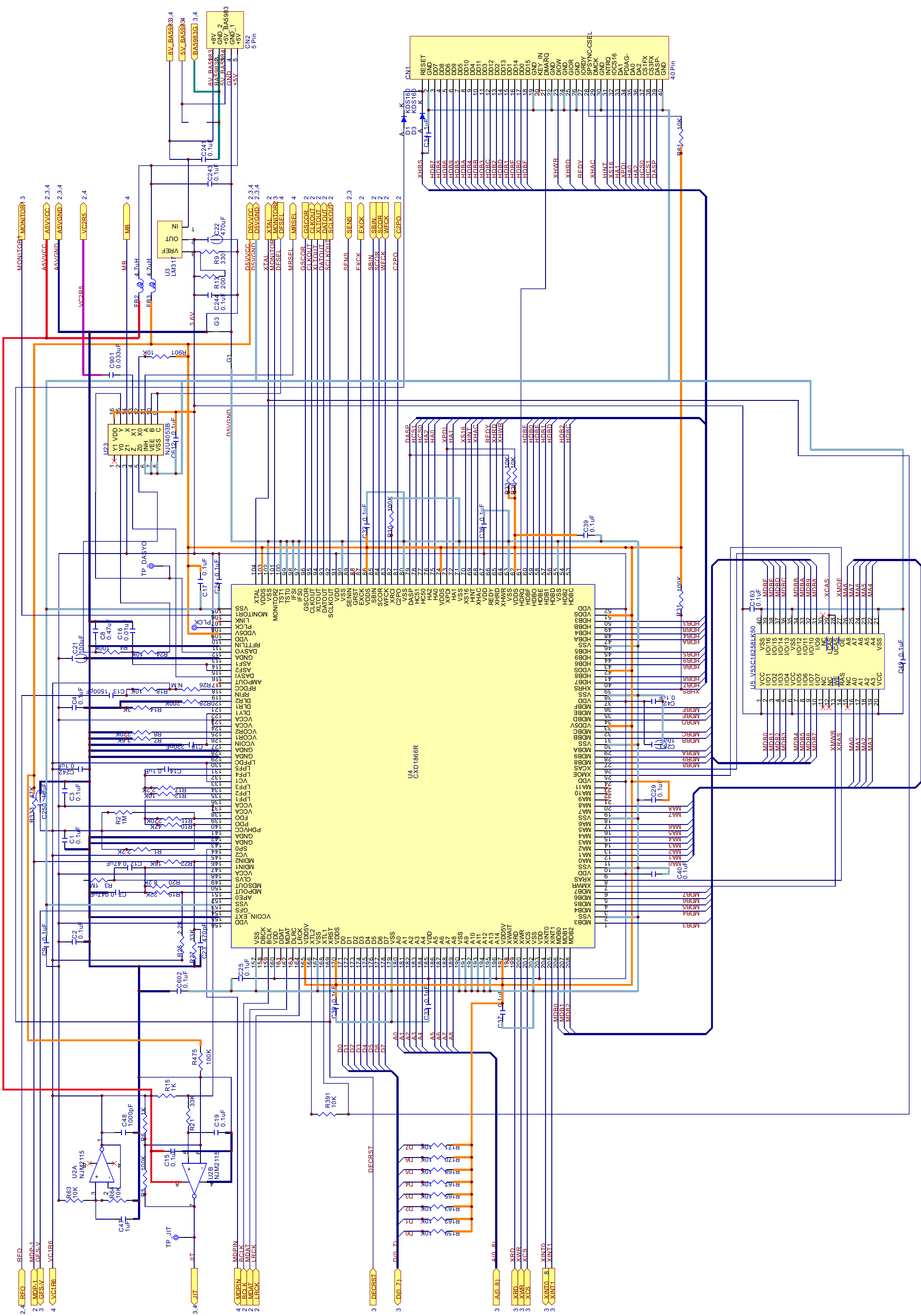
2 SCSO

4 SCLK

4 ECMPH

4 ECMPH

4 SENS



2, 4 REF

2 MDP-1

2 MDP-1

2 GFS-V

4 VC1R6

VC2R5

VC2R5

MB

MB

3, 4 J1T

J1T

MDPIN

BCLK

MDAT

LRCK

3 DECRST

3 D0(0..7)

3 A0(0..8)

3 XRD

3 XWR

3 XCS

3 XINT0

3 XINT1

3 XINT2

3 XRD

3 XWR

3 XCS

3 XINT0

3 XINT1

3 XINT2

3 XRD

3 XWR

3 XCS

3 XINT0

3 XINT1

3 XINT2

3 XRD

3 XWR

3 XCS

3 XINT0

3 XINT1

3 XINT2

3 XRD

3 XWR

3 XCS

3 XINT0

3 XINT1

3 XINT2

U3 LM317

U4 CXD1866R

U5 V53C16258LK50

U2A NJM2115

U2B NJM2115

U1 NU4053B

U3 LM317

U4 CXD1866R

U5 V53C16258LK50

U6 V53C16258LK50

U7 V53C16258LK50

U8 V53C16258LK50

U9 V53C16258LK50

U10 V53C16258LK50

U11 V53C16258LK50

U12 V53C16258LK50

U13 V53C16258LK50

U14 V53C16258LK50

U15 V53C16258LK50

U16 V53C16258LK50

U17 V53C16258LK50

U18 V53C16258LK50

U19 V53C16258LK50

U20 V53C16258LK50

U21 V53C16258LK50

U22 V53C16258LK50

U23 V53C16258LK50

U24 V53C16258LK50

U25 V53C16258LK50

U26 V53C16258LK50

U27 V53C16258LK50

U28 V53C16258LK50

U29 V53C16258LK50

U30 V53C16258LK50

U31 V53C16258LK50

U32 V53C16258LK50

U33 V53C16258LK50

U34 V53C16258LK50

U35 V53C16258LK50

U36 V53C16258LK50

U37 V53C16258LK50

U38 V53C16258LK50

U39 V53C16258LK50

U40 V53C16258LK50

U41 V53C16258LK50

U42 V53C16258LK50

U3 LM317

U4 CXD1866R

U5 V53C16258LK50

U2A NJM2115

U2B NJM2115

U1 NU4053B

U3 LM317

U4 CXD1866R

U5 V53C16258LK50

U6 V53C16258LK50

U7 V53C16258LK50

U8 V53C16258LK50

U9 V53C16258LK50

U10 V53C16258LK50

U11 V53C16258LK50

U12 V53C16258LK50

U13 V53C16258LK50

U14 V53C16258LK50

U15 V53C16258LK50

U16 V53C16258LK50

U17 V53C16258LK50

U18 V53C16258LK50

U19 V53C16258LK50

U20 V53C16258LK50

U21 V53C16258LK50

U22 V53C16258LK50

U23 V53C16258LK50

U24 V53C16258LK50

U25 V53C16258LK50

U26 V53C16258LK50

U27 V53C16258LK50

U28 V53C16258LK50

U29 V53C16258LK50

U30 V53C16258LK50

U31 V53C16258LK50

U32 V53C16258LK50

U33 V53C16258LK50

U34 V53C16258LK50

U35 V53C16258LK50

U36 V53C16258LK50

U37 V53C16258LK50

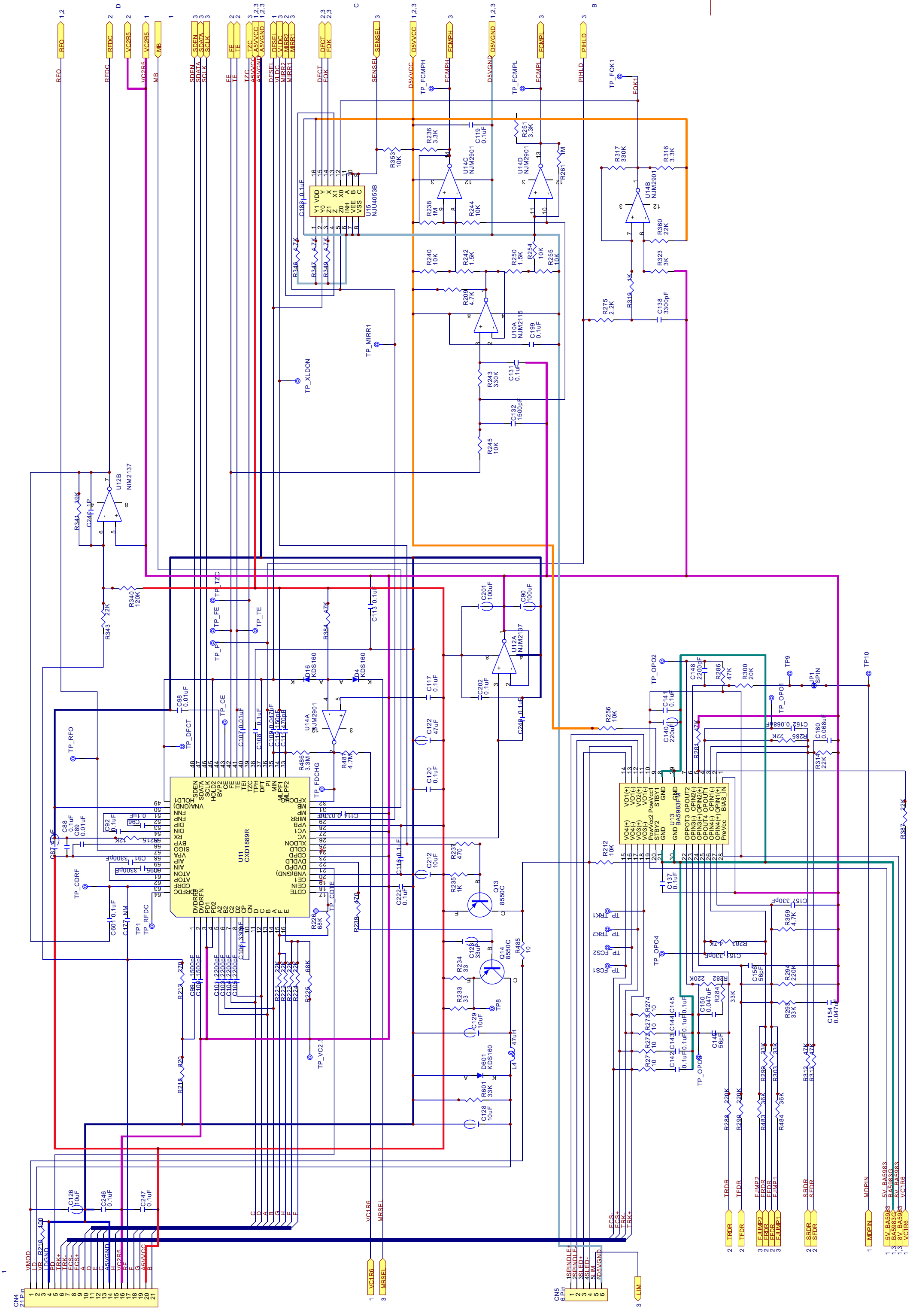
U38 V53C16258LK50

U39 V53C16258LK50

U40 V53C16258LK50

U41 V53C16258LK50

U42 V53C16258LK50



- 1 V1 BA5983
- 2 BA5983
- 3 BV BA5983
- 4 VC1R6
- 5 MDPIN
- 6 MDPIN
- 7 5V BA5983
- 8 BA5983
- 9 BV BA5983
- 10 VC1R6