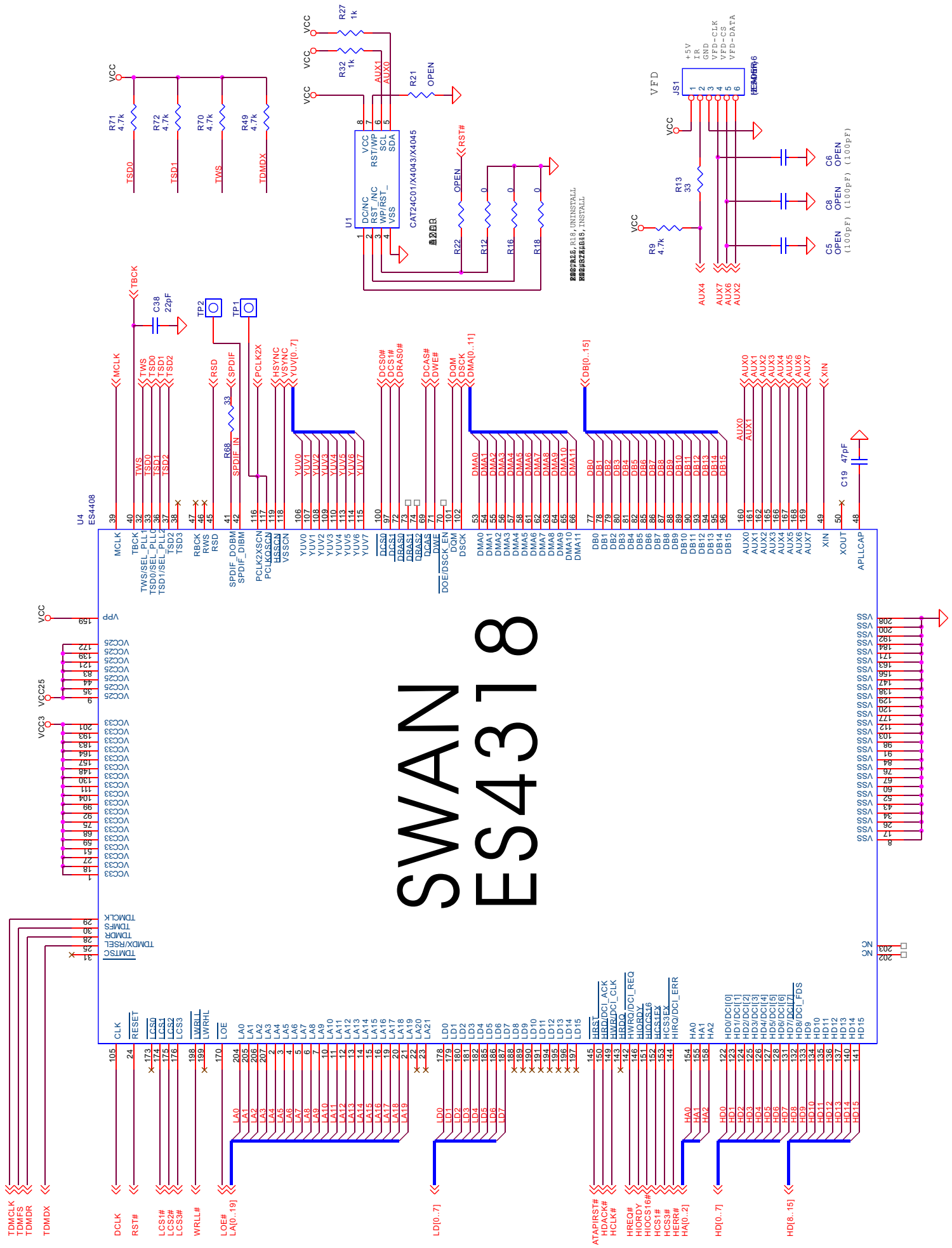


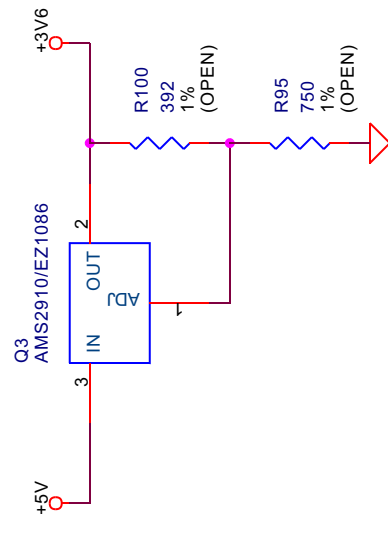
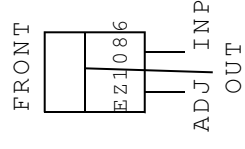
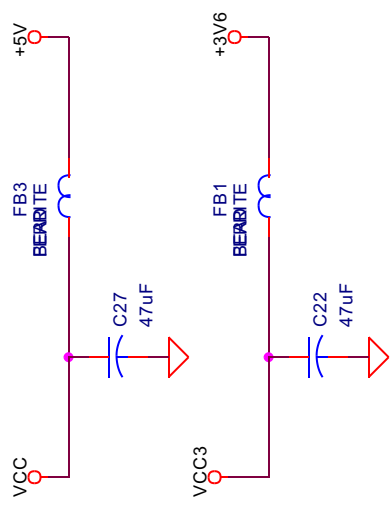
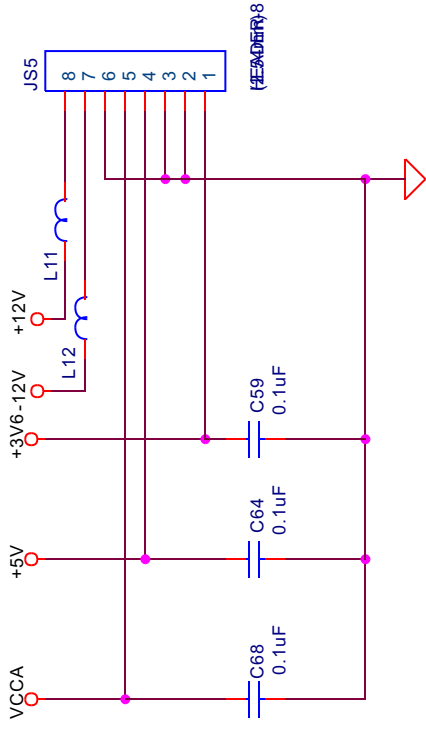
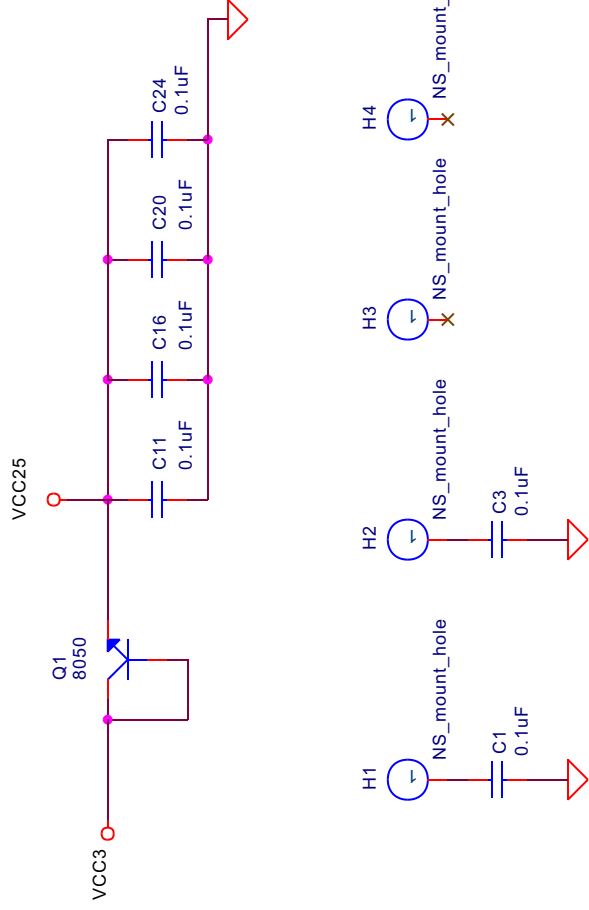
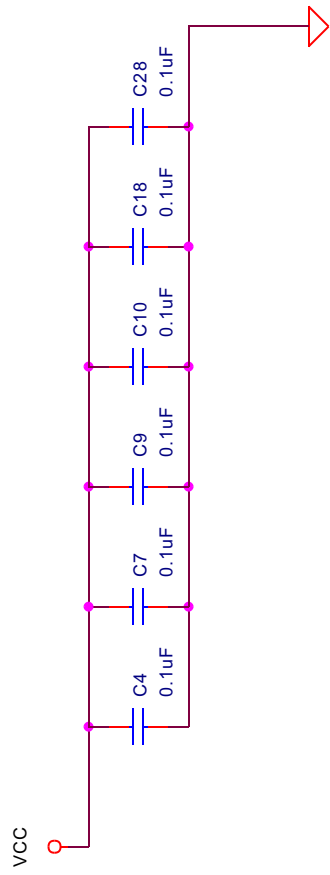
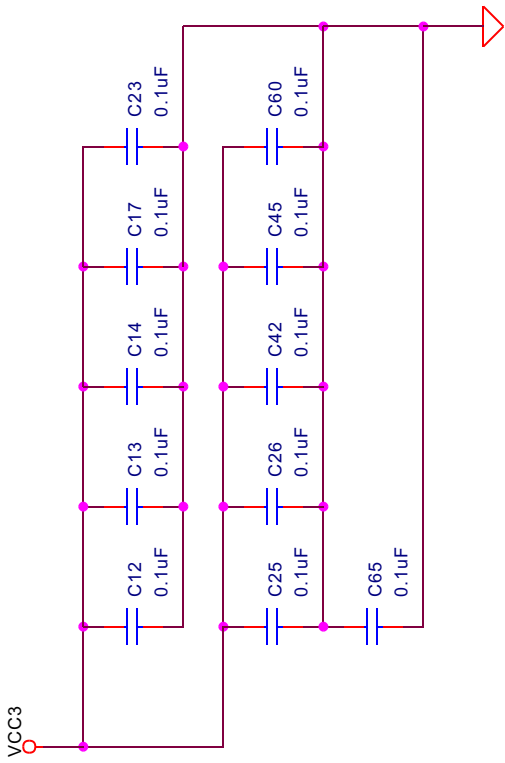
# SWAN ES4318

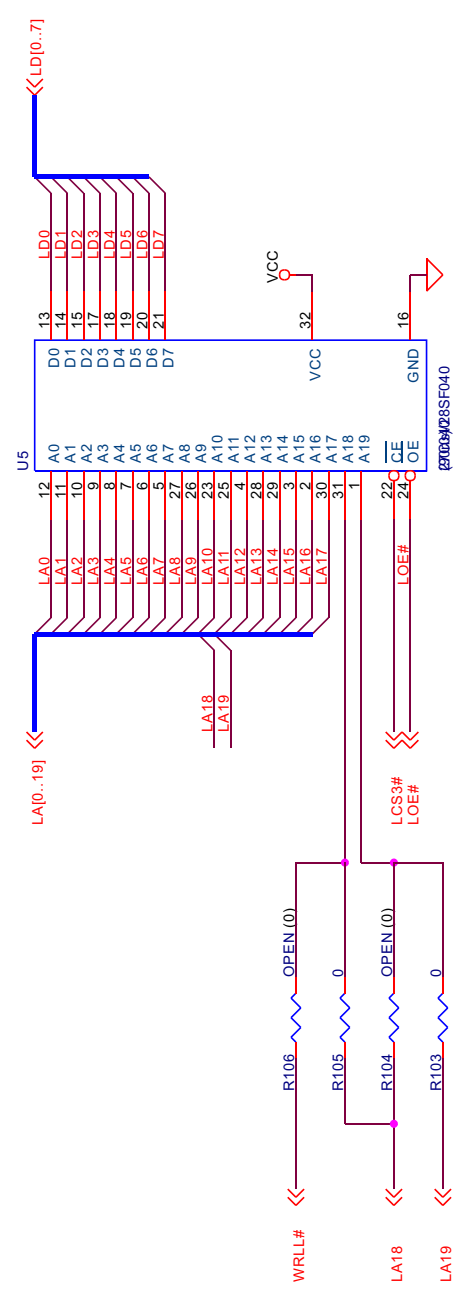
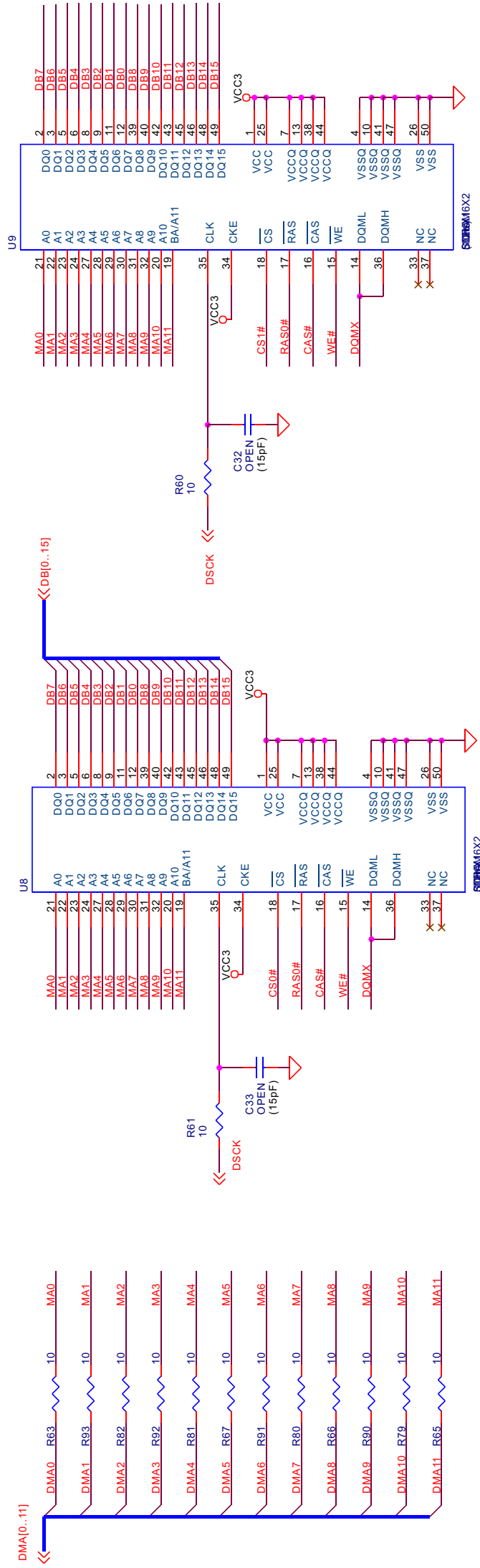


RESISTOR R18, UNINSTALL  
RESISTOR R84, INSTALL

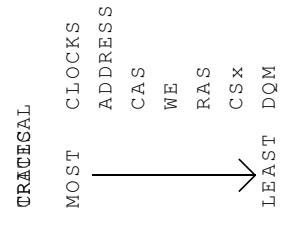
C5 OPEN (1.00pF)  
C6 OPEN (1.00pF)







R105  
 R106  
 28SF040



# AV3168 (POM1720) & AV3168/9) BOARD

## ESAS08

LCEx#	FUNCTION
0	
1	
2	EXPAND
3	ROM/FLASH

AUXx	FUNCTION
0	DATA
1	CLOCK
2	DATA
3	AUDIO_CS
4	INTERRUPT
5	MEME68/9
6	CS#
7	CE#

## PAGE

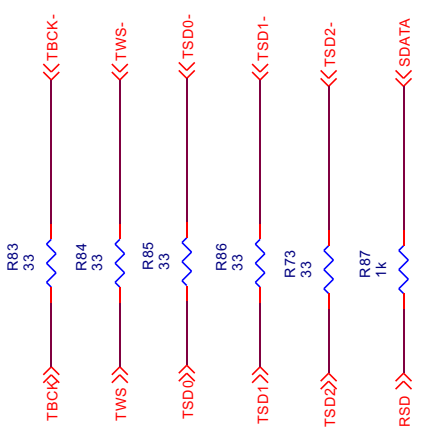
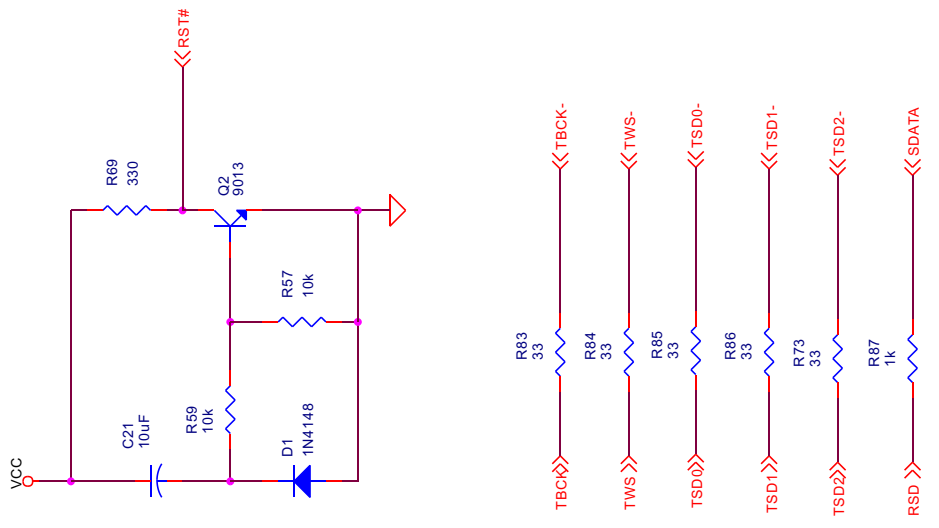
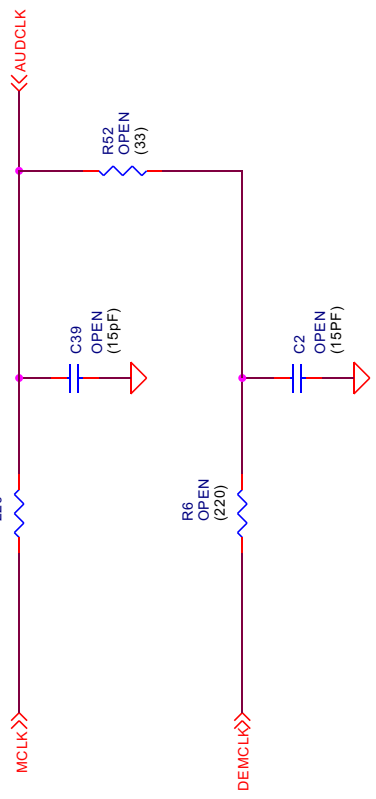
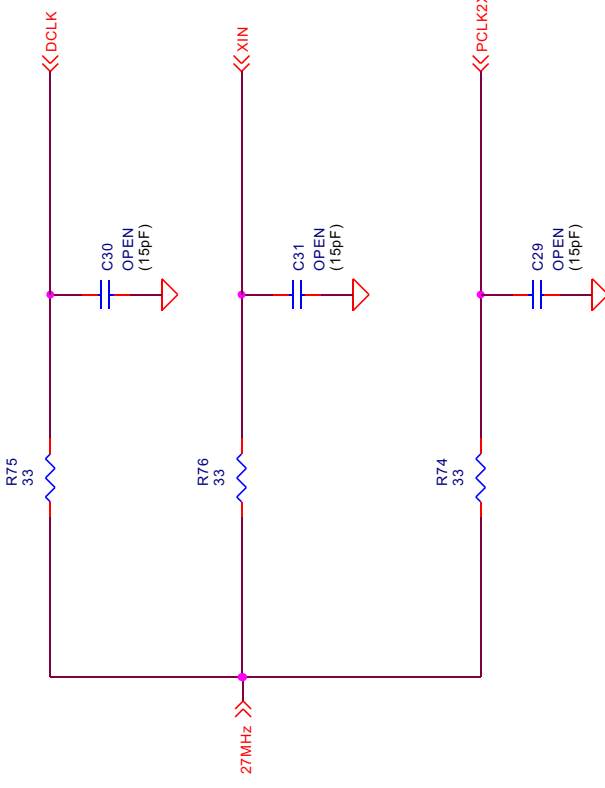
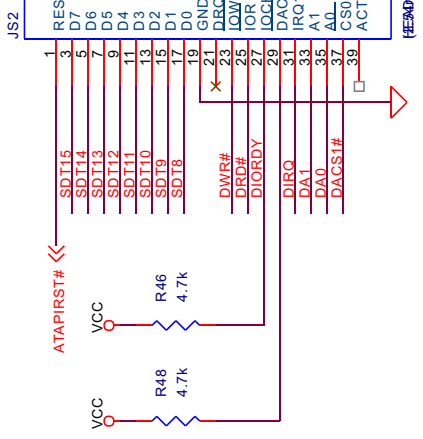
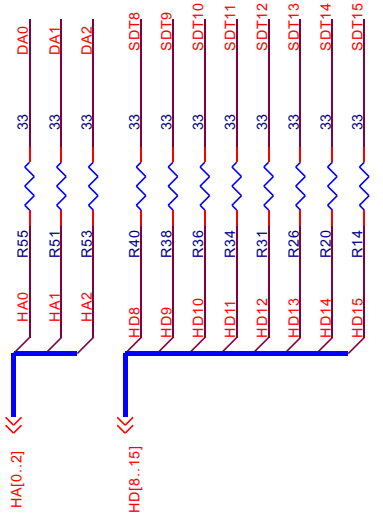
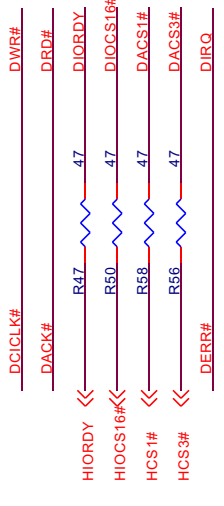
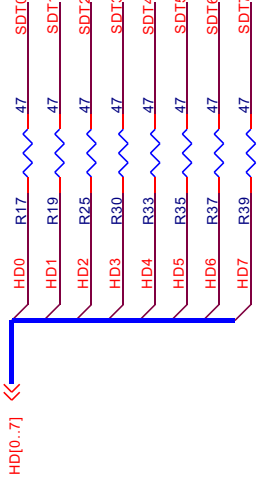
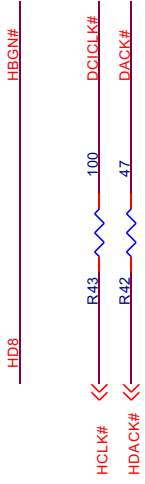
1	INDEX
2	BOARD
3	SWAR18
4	MEMORY
5	INTERFACE
6	VIDEO/AUDIO
7	BATTERY
8	Shhdnel

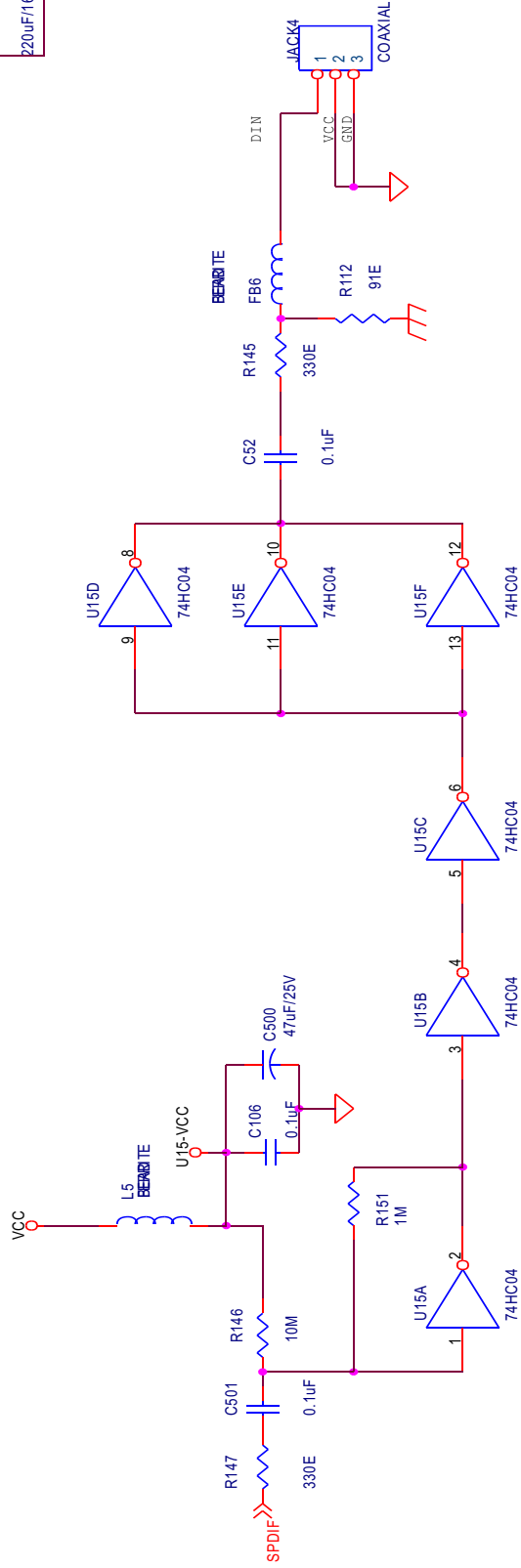
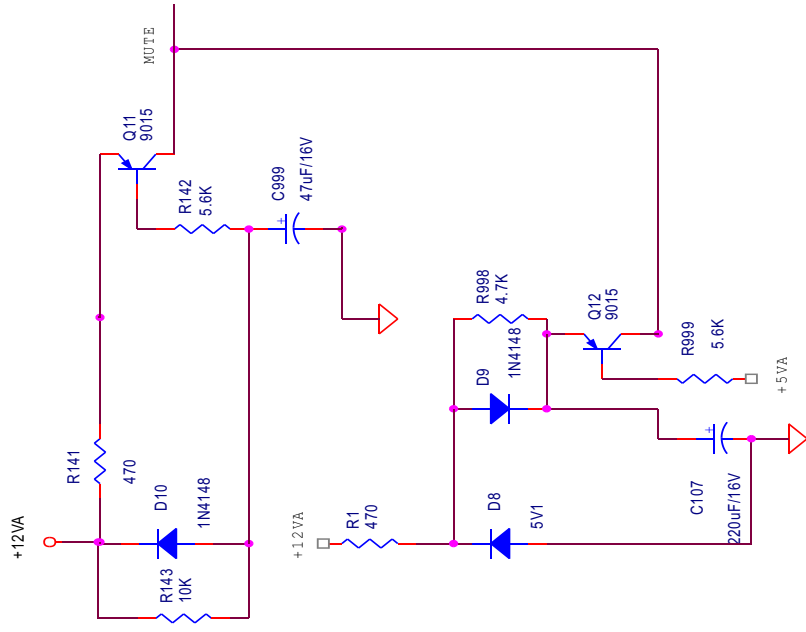
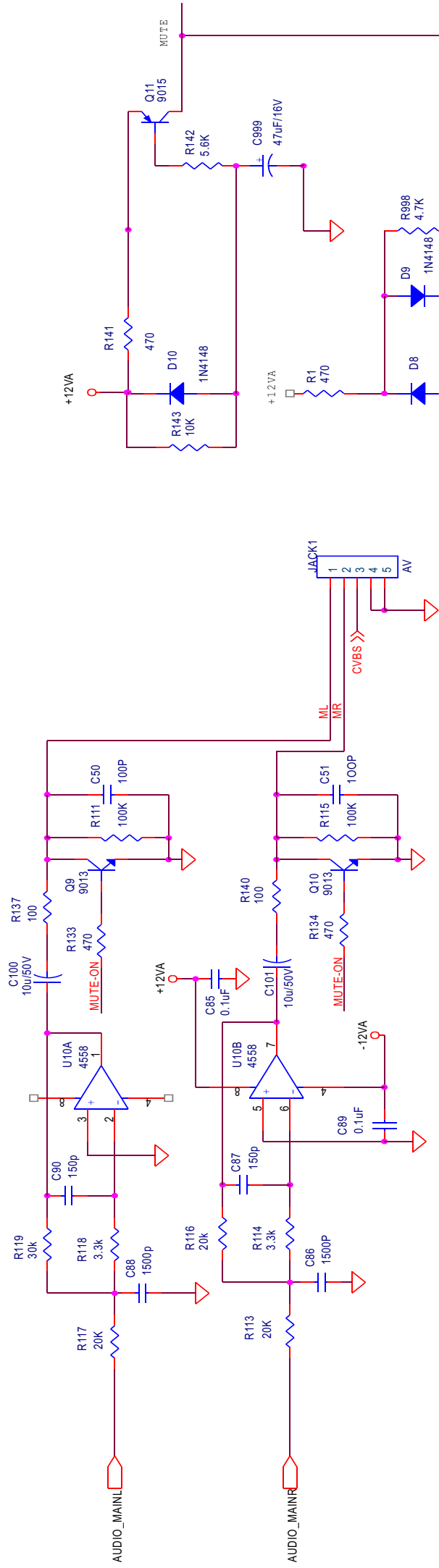
## GROUND

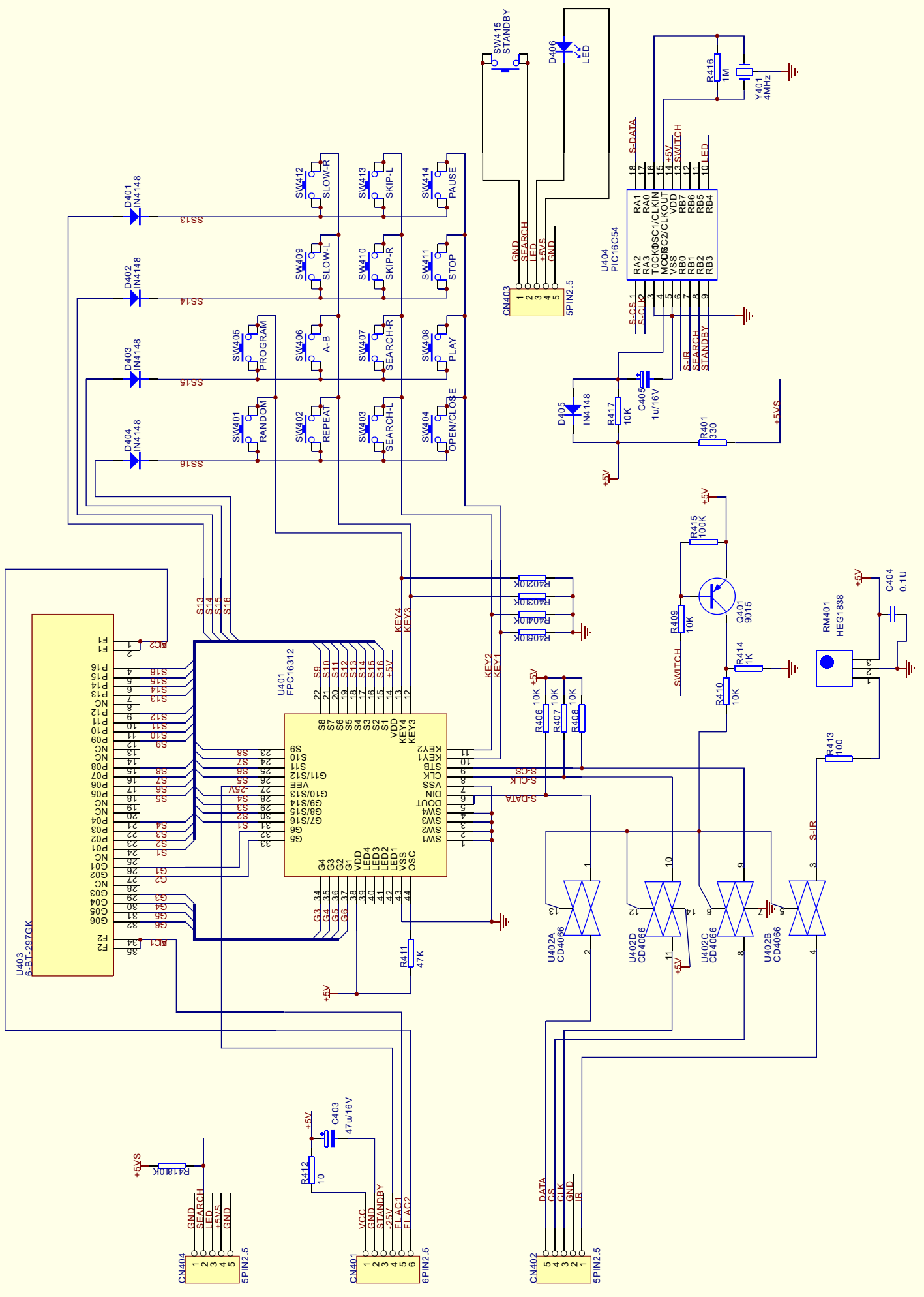
NAME	TYPE
GND	GENERAL
AGND	GROUND

## POWER

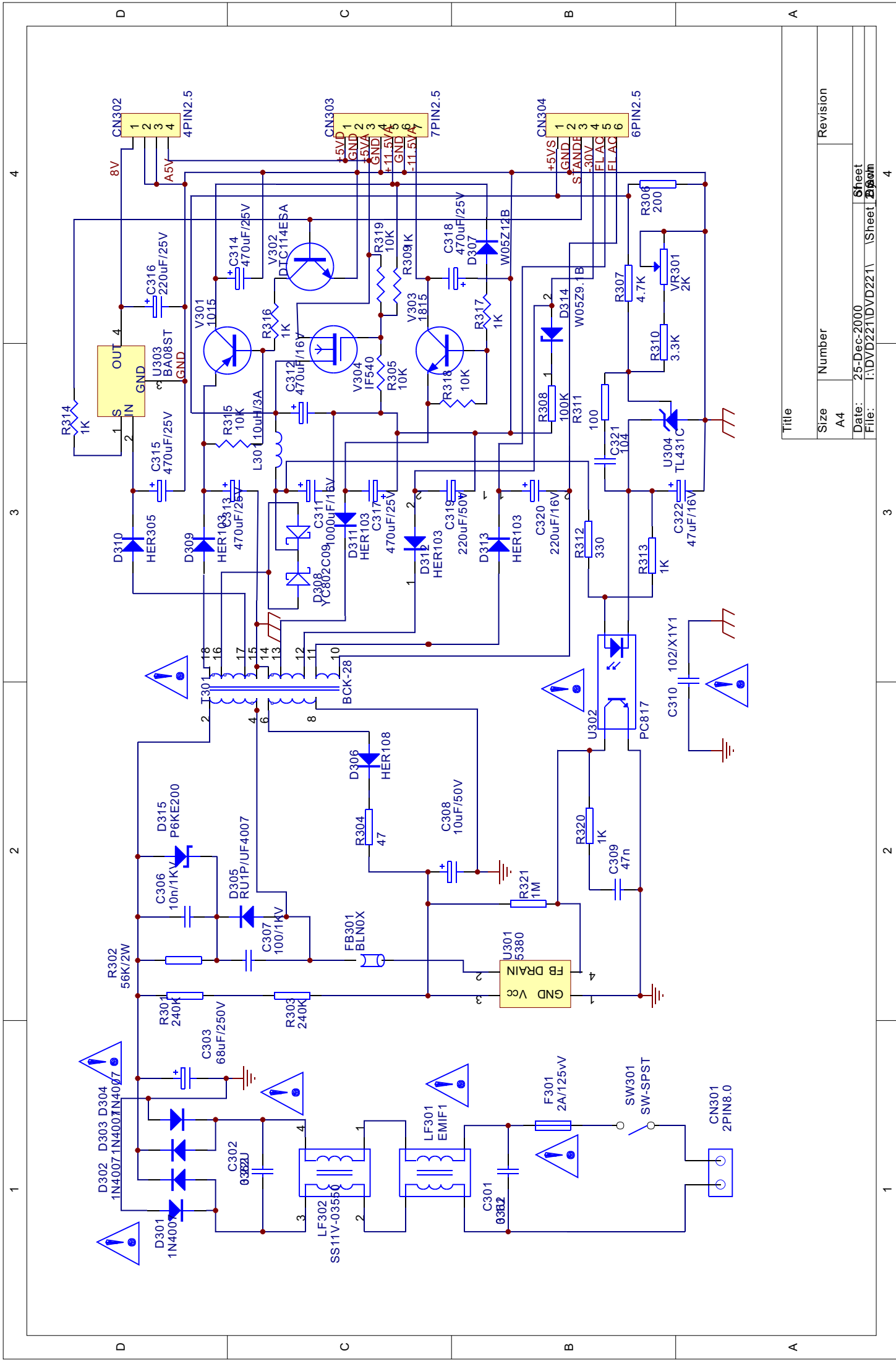
NAME	TYPE	DEVICE
+5V	DIGITAL	SUPPLY
VCC3	BIGTAL	ESRAM8,
VCC25	DIGTAL	ES4408











Title	
Size	Number
A4	
Date:	Revision
25-Dec-2000	
File:	Sheet
:\D\VD221\DVD221\	6
	2

4

3

2

1

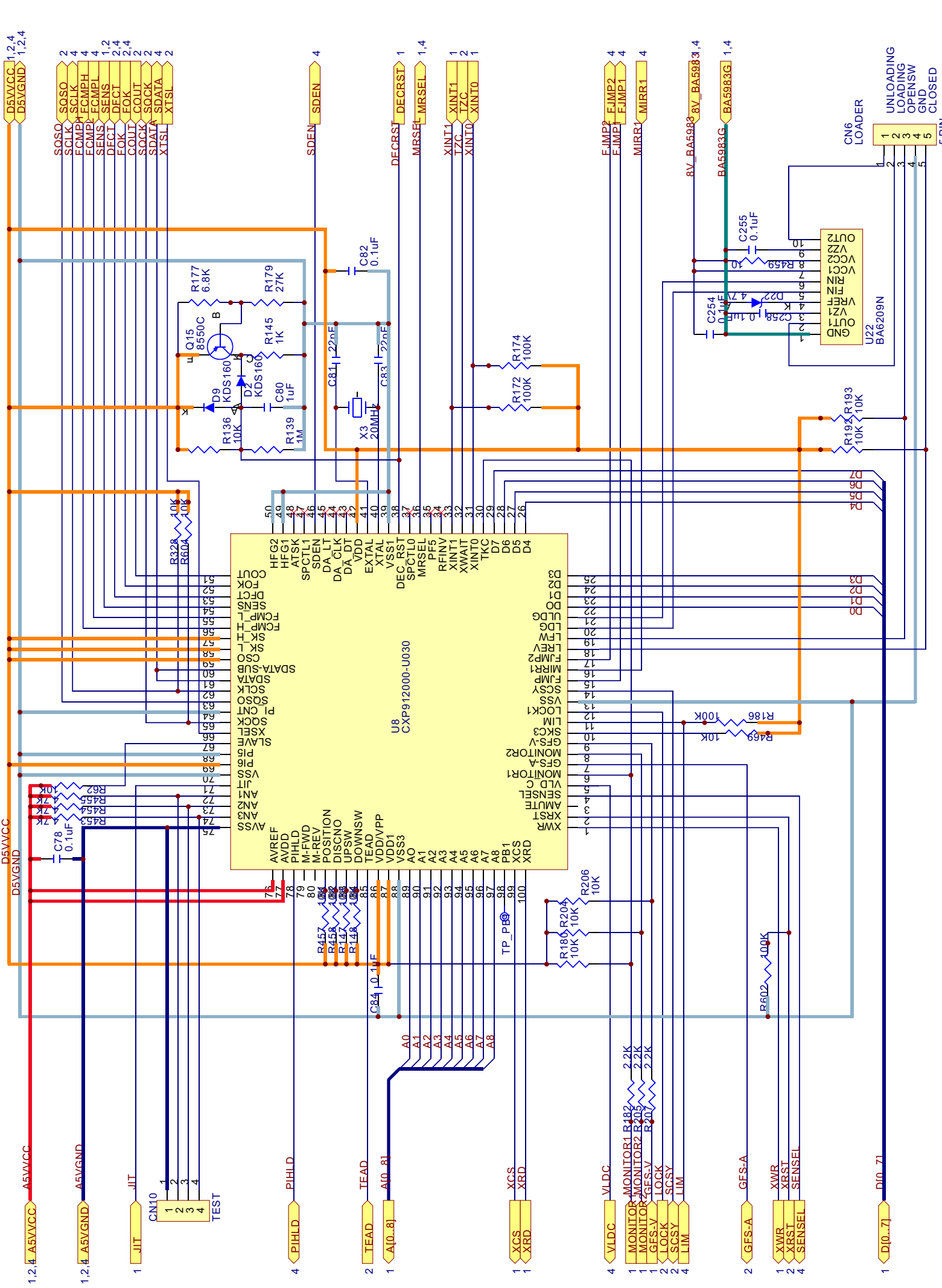
4

3

2

1





- 1,2,4 A5VWCC
- 1,2,4 D5VVCC
- 1,2,4 D5VGGND
- 1,2,4 A5VGGND
- 1 J1T
- 1 CN10
- 1,2,3,4 TEST
- 4 PIHLD
- 2 TEAD
- 1 AIO[0..8]
- 1 XCS
- 1 XRD
- 4 VLDC
- 1 MONITOR1
- 1 MONITOR2
- 1 GFS-V
- 2 LOCK
- 2 SCSY
- 4 LIM
- 2 GFS-A
- 1 XWR
- 2 XRST
- 4 SENSEL
- 1 DIO[0..7]

- AVREF
- AVDD
- PIHLD
- M-FWD
- M-REV
- POSITION
- DISGNO
- UPSW
- DOWNSW
- TEAD
- VDD1
- VDD2
- VDD3
- AO
- A0
- A1
- A2
- A3
- A4
- A5
- A6
- A7
- A8
- TP\_PB0
- XCS
- XRD
- VLDC
- MONITOR1
- MONITOR2
- GFS-V
- LOCK
- SCSY
- LIM
- GFS-A
- XWR
- XRST
- SENSEL
- DIO[0..7]

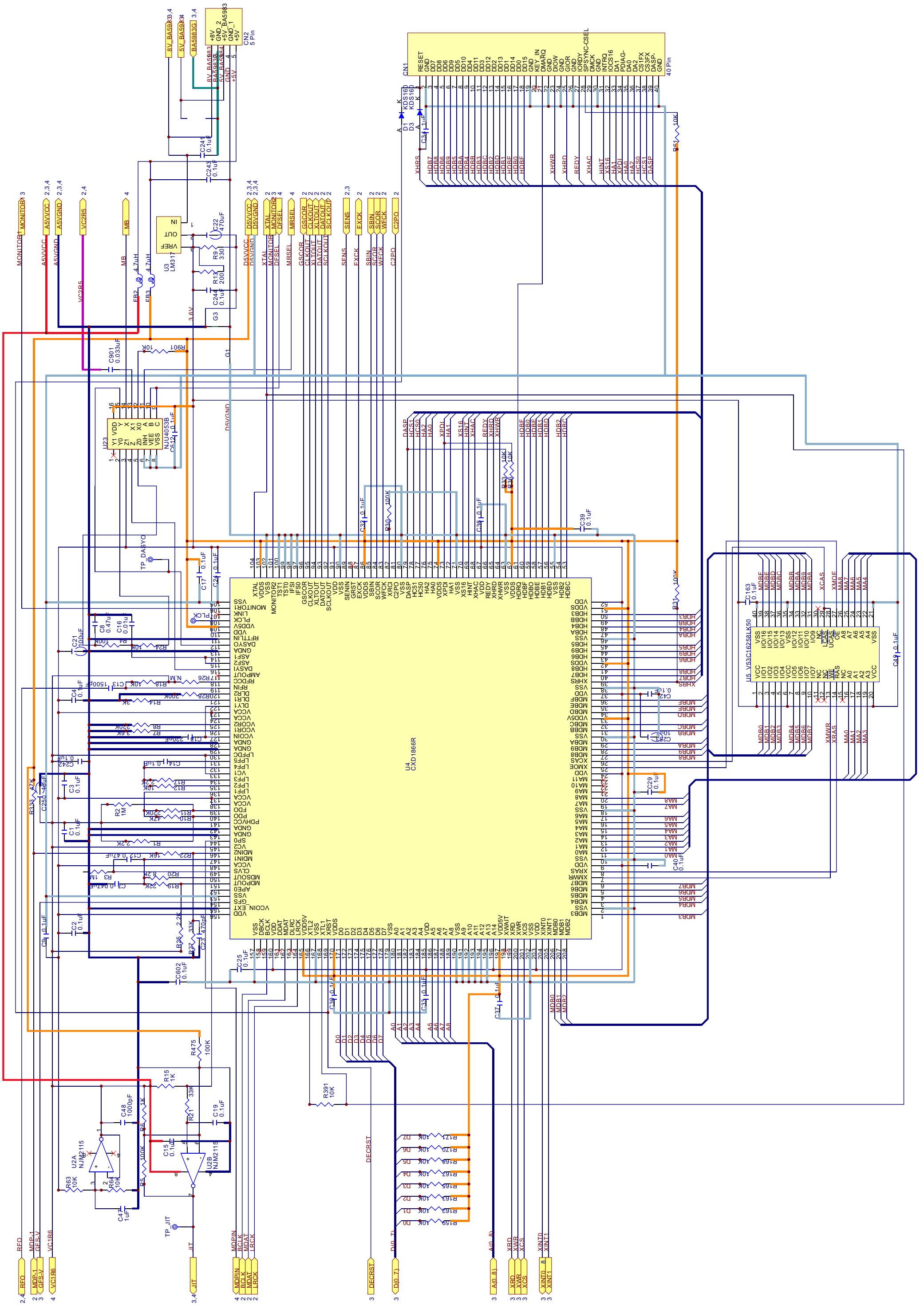
- HFG2
- HFG1
- ATSK
- SPCTL1
- SDEN
- DA\_LT
- DA\_CLK
- DA\_DT
- VDD
- EXTAL
- XTAL
- VSS1
- DEC\_RST
- SPCTL0
- MRSEL
- PF5
- PF4
- PF3
- PF2
- PF1
- RFINV
- XINT1
- XWAIT
- XINT0
- TKC
- D7
- D6
- D5
- D4
- D3
- D2
- D1
- D0
- U8 CAP912000-U030

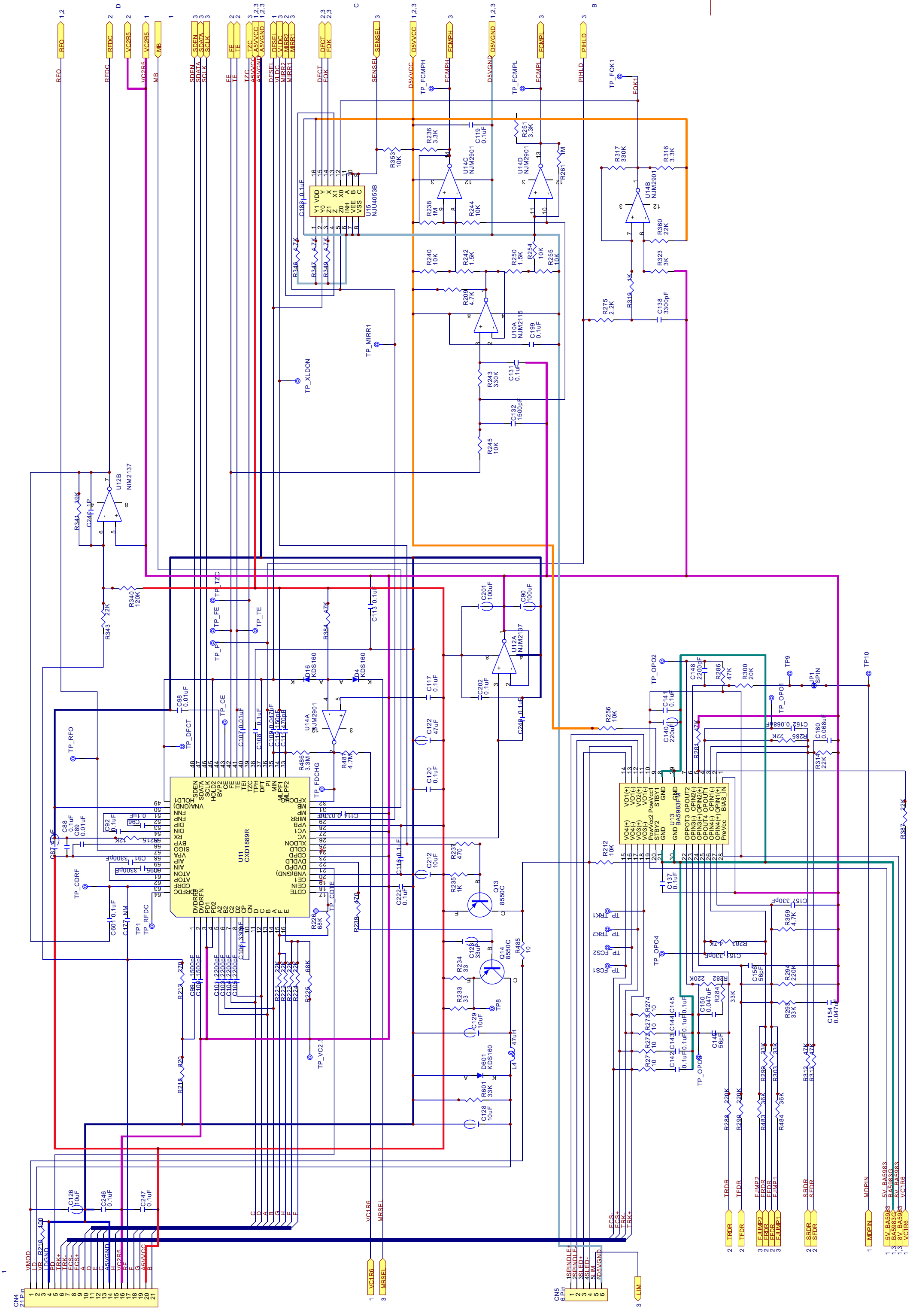
- AVRFG
- AVDD
- PIHLD
- M-FWD
- M-REV
- POSITION
- DISGNO
- UPSW
- DOWNSW
- TEAD
- VDD1
- VDD2
- VDD3
- AO
- A0
- A1
- A2
- A3
- A4
- A5
- A6
- A7
- A8
- TP\_PB0
- XCS
- XRD
- VLDC
- MONITOR1
- MONITOR2
- GFS-V
- LOCK
- SCSY
- LIM
- GFS-A
- XWR
- XRST
- SENSEL
- DIO[0..7]

- U15 KDS160
- U14 KDS160
- U22 BA6209N
- U21 BA5983G
- X3 20MHz
- R177 6.8K
- R179 27K
- R145 1K
- R136 10K
- R139 1M
- R10K 10K
- R604 10K
- R328 10K
- C80 1uF
- C81 22nF
- C82 0.1uF
- C83 22nF
- C78 0.1uF
- C84 0.1uF
- C254 0.1uF
- C255 0.1uF
- C258 0.1uF
- C259 0.1uF
- R195 10K
- R193 10K
- R186 10K
- R469 10K
- R204 10K
- R205 10K
- R207 10K
- R182 2.2K
- R209 2.2K
- R201 2.2K
- R602 100K

- Q15 8550C
- D9 KDS160
- D2 KDS160
- U8 CAP912000-U030
- U22 BA6209N
- U21 BA5983G
- X3 20MHz
- R177 6.8K
- R179 27K
- R145 1K
- R136 10K
- R139 1M
- R10K 10K
- R604 10K
- R328 10K
- C80 1uF
- C81 22nF
- C82 0.1uF
- C83 22nF
- C78 0.1uF
- C84 0.1uF
- C254 0.1uF
- C255 0.1uF
- C258 0.1uF
- C259 0.1uF
- R195 10K
- R193 10K
- R186 10K
- R469 10K
- R204 10K
- R205 10K
- R207 10K
- R182 2.2K
- R209 2.2K
- R201 2.2K
- R602 100K

- SOSO
- SCLK
- ECMPH
- ECMPL
- SENS
- DECT
- FOK
- FOK
- COUT
- SOCK
- SDATA
- XTSL
- SDEN
- DECRST
- MRSEL
- XINT1
- TZC
- XINT0
- XINT0
- E\_JMP2
- E\_JMP1
- MIRR1
- 8V\_BA5983
- BA5983G
- CN6 LOADER
- UNLOADING
- LOADING
- OPENSW
- GND
- CLOSED
- 5 PIN





- 1 VV BA5983
- 1 BV BA5983
- 1 VC1R6
- 1 MDPIN
- 1 MDPIN
- 2 SDR
- 2 SDR
- 3 FJUMP2
- 3 FJUMP2
- 3 FJUMP1
- 3 FJUMP1
- 2 TRDR
- 2 TRDR
- 2 TRDR
- 2 TRDR
- 1 SPINDLE
- 2 SPINDLE
- 3 LED
- 4 LED
- 5 LED
- 6 LED
- 7 LED
- 8 LED
- 9 LED
- 10 LED
- 11 LED
- 12 LED
- 13 LED
- 14 LED
- 15 LED
- 16 LED
- 17 LED
- 18 LED
- 19 LED
- 20 LED
- 21 LED