

# Manual de Serviço



**H  
O  
M  
E  
  
T  
H  
E  
A  
T  
E  
R  
  
F  
A  
M  
A  
  
2  
  
U  
S  
B**

0800 415300

[suporte.tecnico@britania.com.br](mailto:suporte.tecnico@britania.com.br)

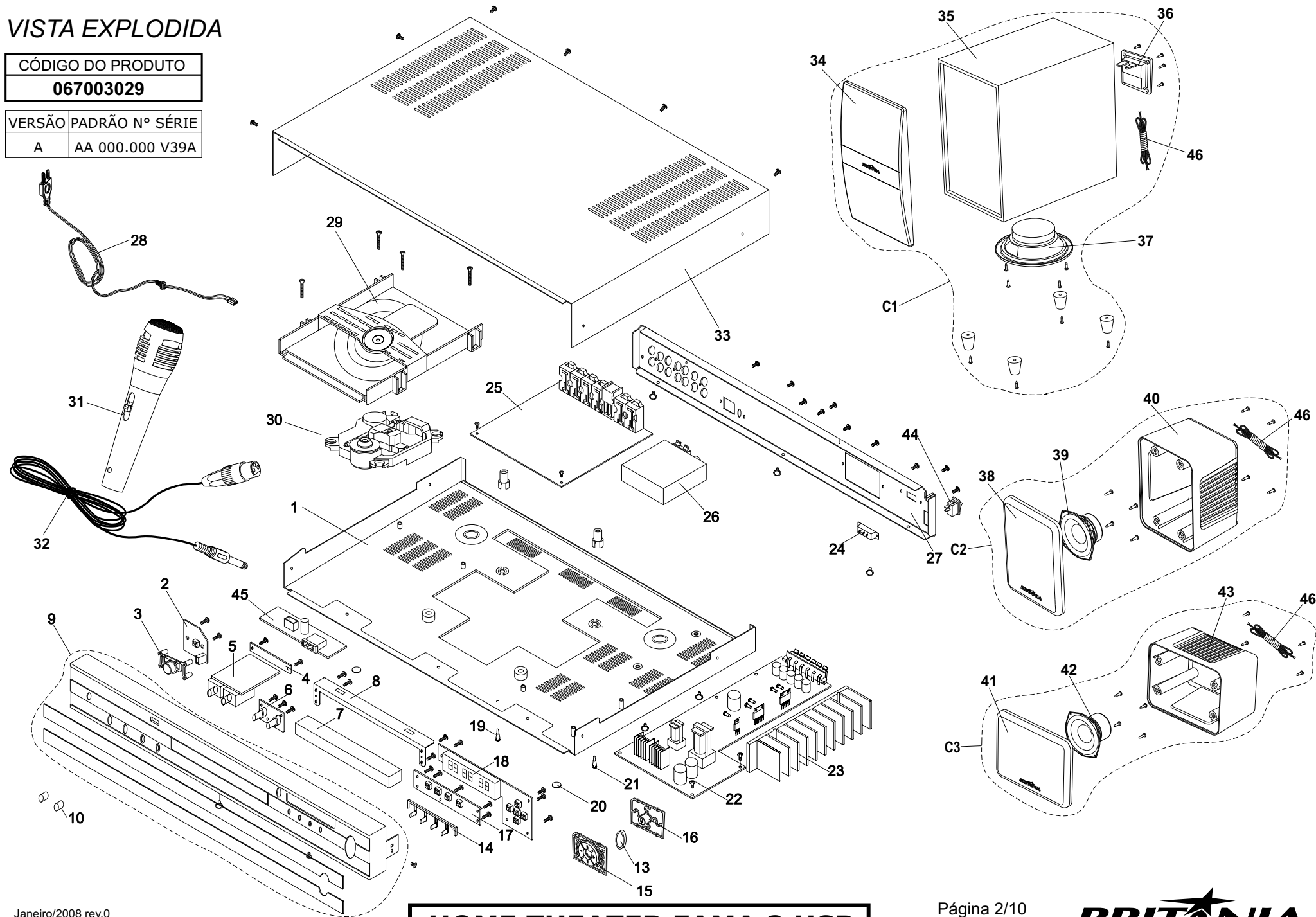
**Política da Qualidade Britânia**

*“ Oferecer produtos que contribuam para a satisfação de nossos clientes, buscando a melhoria contínua de nossos processos ”*

# VISTA EXPLODIDA

CÓDIGO DO PRODUTO  
**067003029**

VERSÃO	PADRÃO	Nº SÉRIE
A		AA 000.000 V39A



New Parts

Janeiro/2008 rev.0

**HOME THEATER FAMA 2 USB**

Página 2/10

**BRITÂNIA**  
ASSISTÊNCIA TÉCNICA

## ITENS DA VISTA EXPLODIDA

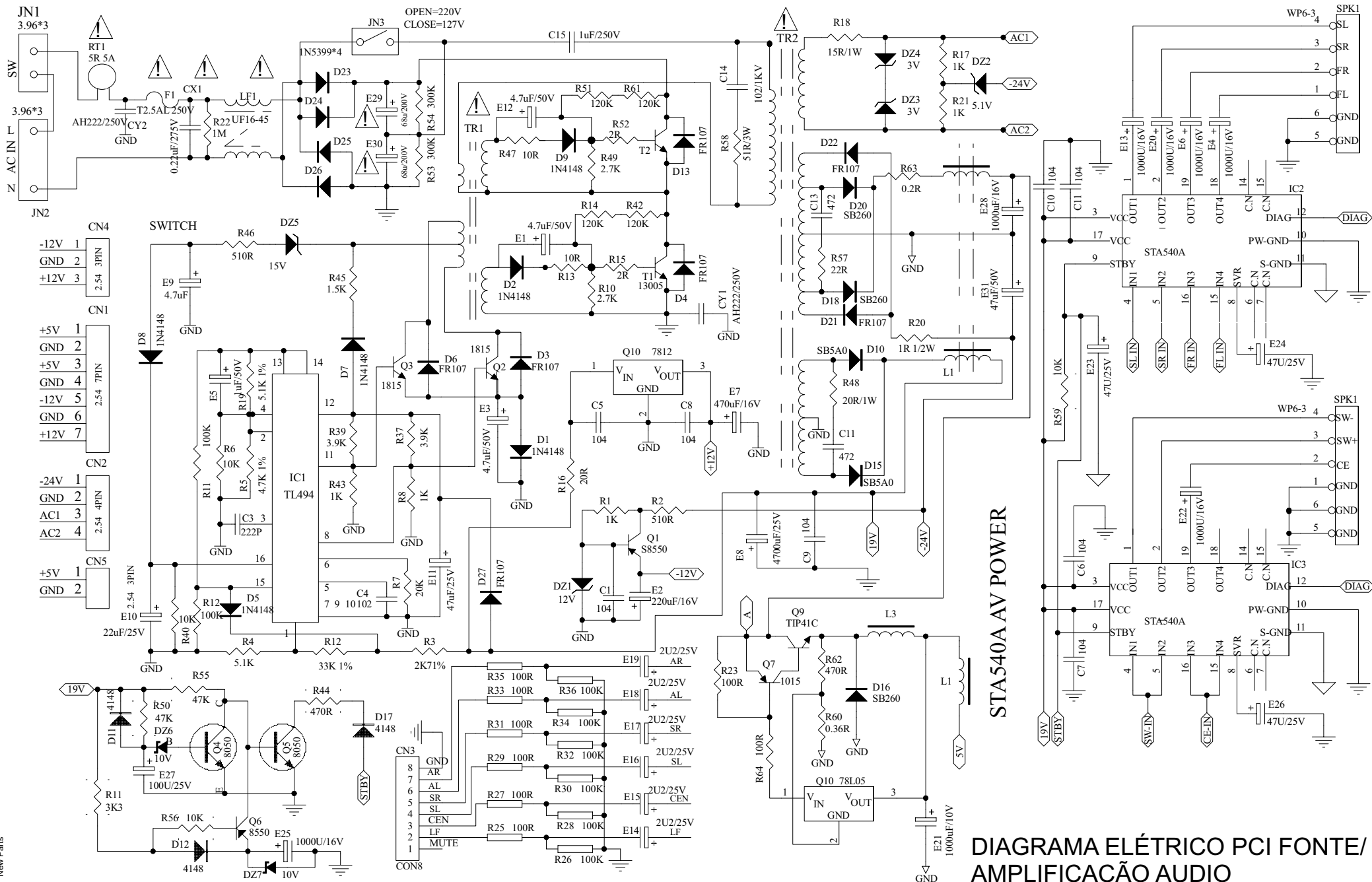
Código	Descrição peça	Nº
706119	GAB INF THEATER FAMA2 USB	1
705284	CHAVE STAND BY THEATER FAMA 2	2
705280	KNOB STANDBY THEATER FAMA 2	3
705261	PCI KARAOKE THEATER FAMA 2 V.A	5
705262	POT CONTR MIC THEATER FAMA 2	6
705776	GAB FRONT THEATER FAMA 2 USB	9
704834	KNOB MIC DVD FAMA RECORDER	10
705279	BOTOES EJECTPLAYPAUSESTOP THEATER FAMA 2	14
705278	BOTAO FUNCOES THEATER FAMA 2	15
705277	BOTAO SELETOR FONTE EXTERNA THEATER FAMA 2	16
705266	PCI TECLADO THEATER FAMA 2 V.A	17
705265	PCI DISPLAY THEATER FAMA 2 V.A	18
706113	PCI POTENCIA THEATER FAMA 2 USB	22
703483	CHAVE VOLTAGEM THEATER FAMA2	24
705777	PCI PRINC THEATER FAMA 2 USB	25
706115	MODULO RADIO THEATER FAMA2 USB	26
705775	GAB TRAS THEATER FAMA 2 USB	27
706118	MEC DVD S UNID OTICA RT632N2P	29
704892	UNID OTICA KHM313-AAA	30
704853	MICROFONE VK-968	31
704854	CABO/PLUGUE DO MICROFONE THEATER FAMA2	32
706116	GAB SUP THEATER FAMA 2 USB	33
705271	GAB CX ACUST WOOFER THEATER FAMA 2	34,35
705282	CONECTOR CX ACUST WOOFER THEATER FAMA 2	36
705276	ALTO FALANTE WOOFER THEATER FAMA 2	37
705273	GAB FRONT CX ACUST SAT FRONTTRAS THEATER FAMA 2	38
705275	ALTO FALANTE SAT FRONTTRAS THEATER FAMA 2	39
705642	GAB TRAS CX ACUST FRONTTRAS THEATER	40
705272	GAB FRONT CX ACUST SATELITE CEN THEATER FAMA 2	41
705274	ALTO FALANTE SATELITE CEN THEATER FAMA 2	42
705326	GAB TRAS CX ACUST CEN THEATER FAMA 2	43
701902	CHAVE MASTER ON/OFF	44
706114	PCI CONECTOR USB (DA217A01R)	45
705283	CABO POL 25AWG PRBR 4.80 M THEATER	46
705270	CX ACUST WOOFER THEATER FAMA 2	C1
705268	CX ACUST SAT FRONT THEATER FAMA 2	C2
705269	CX ACUST SAT TRAS THEATER FAMA 2	C2
705267	CX ACUST SAT CEN BLIND THEATER FAMA	C3

**NOTA:**

Dos itens da página anterior, somente aqueles que possuem códigos relacionados nas tabelas serão fornecidos.

## DEMAIS COMPONENTES FORNECIDOS

Código	Descrição peça	Nº
<b>PCI PRINCIPAL</b>		
705613	CIRC. INT. MT1389DE (SMD)	U3
704993	CIRC. INT. CHMC S5B02D588S / A5888S (SMD)	U4
705615	CIRC. INT. MEM S29AL016D70TF102(SMD)	U6
704166	CIRC. INT. 24C16AN (SMD)	U7
704478	CIRC. INT. 4558 (FLP-8)(SMD)	U9,U10,U11
702723	CIRC. INT. 74HC4052	U13
705255	CIRC. INT. CE2632 (SMD)	U15
700106	TRANSISTOR S8550 (PTH)	Q11,Q12
<b>PCI POTENCIA</b>		
705259	CIRC. INT. TL494 CN	IC1
706008	CIRC. INT. STA5405A	IC2,IC3
702254	CIRC. INT. CJ 78L05 BAW100	IC4
700105	TRANSISTOR 8050 (PTH)	Q1,Q4,Q5
702986	TRANSISTOR C1815	Q2,Q3
700321	TRANSISTOR S8550 (TO92)(PTH)	Q6
700537	TRANSISTOR 2SA1015YA733	Q7
704167	CIRC. INT. TIP41C	Q9
702721	CIRC. INT. L7812	Q10
705260	TRANSISTOR E13005-2/535	T1, T2
<b>PCI KARAOKE</b>		
703078	CIRC. INT. CHMC SA2/ D4558	IC1
<b>PCI DISPLAY</b>		
701904	CIRC. INT. TP6312F (SMD)	IC1
<b>MODULO RADIO</b>		
705263	CIRC. INT. CS1000JD3Y (SMD)	***
<b>ACESSÓRIOS E CABOS</b>		
704197	ANTENA AM BS110000/20000/THEATER FAMA	***
704196	ANTENA FM BS110000/20000/THEATER FAMA	***
702065	CABO AUDIO E VIDEO 1,15 M THEATER FAMA 2	***
706117	CABO FLAT 24V 350mm P:0,5mm NORMAL	***
706121	CONJ CALCO THEATER FAMA 2 USB	***
703557	CONTROLE REMOTO BS110000/THEATER FAMA 2	***
706120	CORD 2x0,5mm PR P R 2,5A 1,7M	***
705609	EMBALAGEM THEATER FAMA 2 USB	***
705487	GUIA RAPIDO THEATER FAMA 2	***
705641	MANUAL USUARIO UNIFICADO THEATER FAMA 2/USB	***



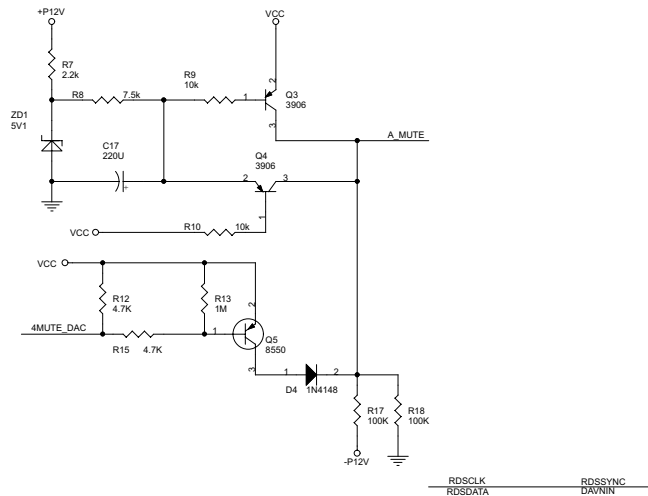
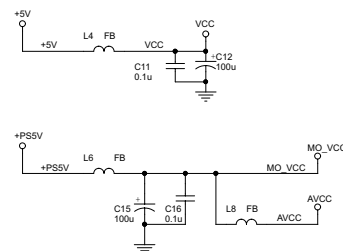
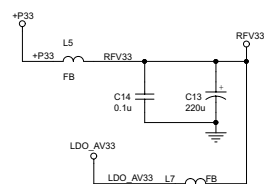
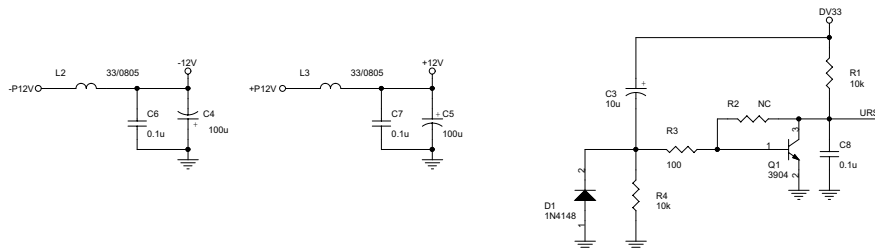
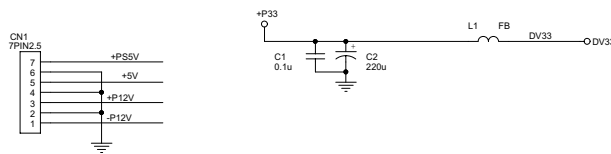
STA540A AV POWER

DIAGRAMA ELÉTRICO PCI FONTE/ AMPLIFICAÇÃO AUDIO

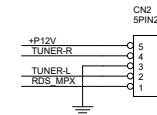
REFERÊNCIA ESQUEMA

- 1 ESTÁGIO ALIMENTAÇÃO/MUTE PCI PRINCIPAL
- 2 CHIP SET MT1389HD PCI PRINCIPAL
- 3 MEMÓRIAS FLASH E SDRAM PCI PRINCIPAL
- 4 SAÍDA DE VÍDEO E CONECTORES PCI PRINCIPAL
- 5 SAÍDA DE ÁUDIO E CONECTORES PCI PRINCIPAL

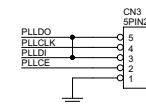
NAME	TYPE	DEVICE
VCC	Digital 5V	SUPPLY
DV33	Digital 3.3V	MT1389HD
RFV33	Servo 3.3V	MT1389HD
AV33	Laser Diode 3.3V	
V18	Digital 1.8V	MT1389HD
SD33	Digital 3.3V	SDRAM
+12V	Audio +12V	OP AMP.
-12V	Audio -12V	OP AMP.
AVDD5	Audio 5V	Audio DAC
DVDD3	Audio 3.3V	Audio DAC



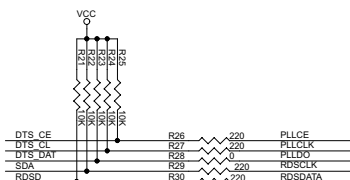
- TUNER-L >>> TUNER-L 5
- TUNER-R >>> TUNER-R 5
- 4MUTE\_DAC >>> 4MUTE\_DAC 2
- A\_MUTE >>> A\_MUTE 5
- URST# >>> URST# 2
- DV33 >>> DV33 2,3,4
- VCC >>> VCC 2,3,4,5
- AVCC >>> AVCC 2
- LDO\_AV33 >>> LDO\_AV33 2
- RFV33 >>> RFV33 2
- +P33 >>> +P33 2,5
- +P12V >>> +P12V 4,5
- +12V >>> +12V 5
- 12V >>> -12V 5
- MO\_VCC >>> MO\_VCC 2
- GND >>> GND 2,3,4,5



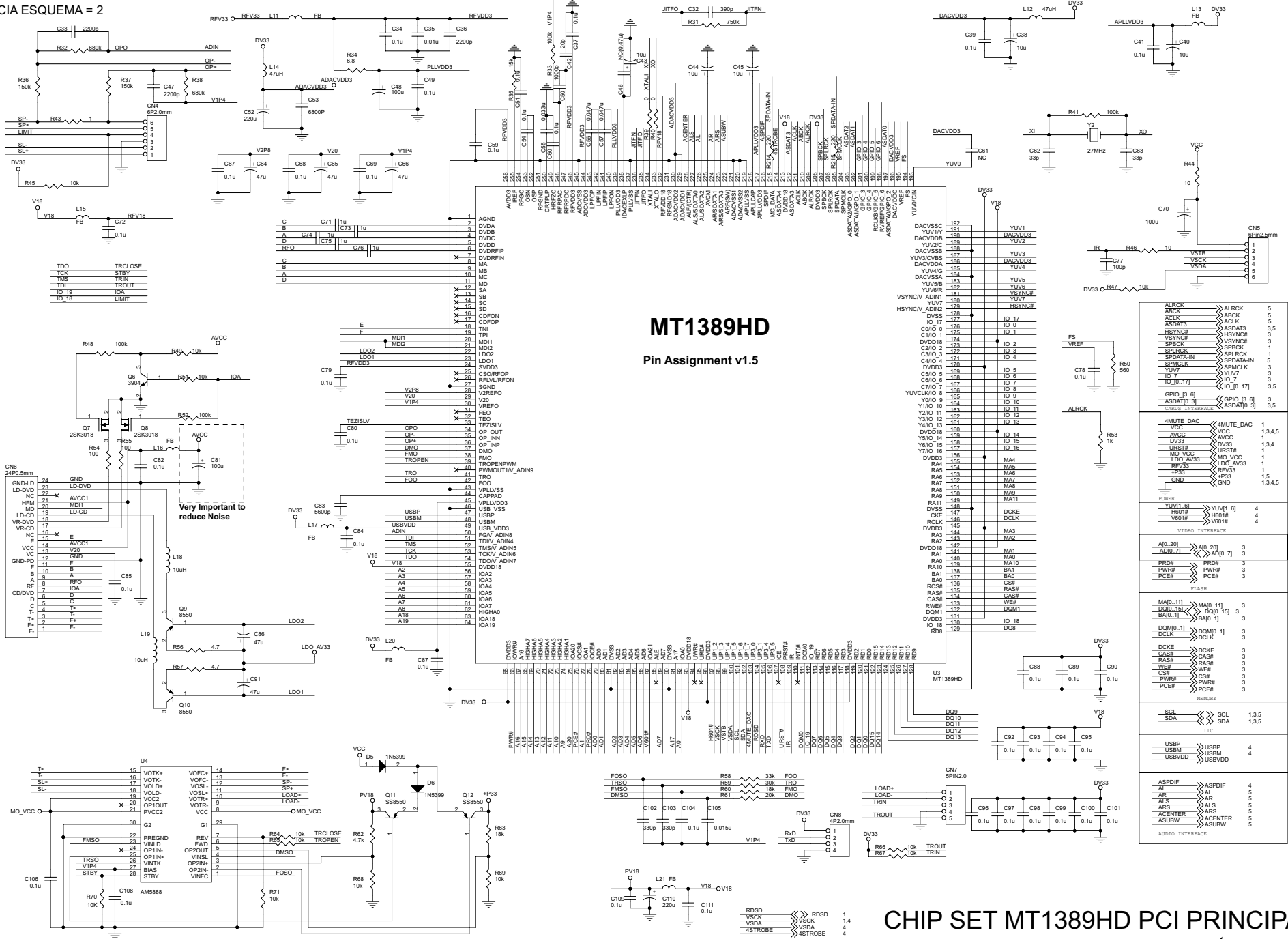
- SPBCK >>> SPBCK 2
- SPLRCK >>> SPLRCK 2
- VSCK >>> VSCK 2,4



- DTS\_CE >>> DTS\_CE 2
- DTS\_CL >>> DTS\_CL 2,3,5
- DTS\_DAT >>> DTS\_DAT 2,3,5



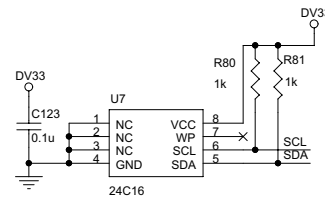
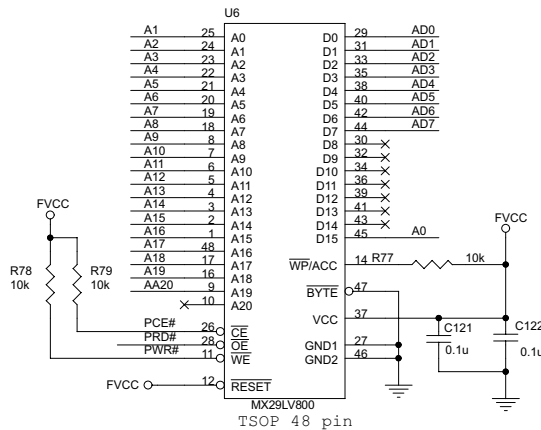
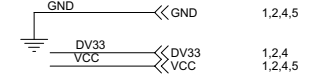
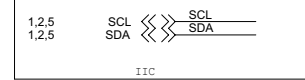
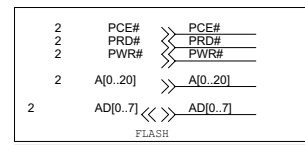
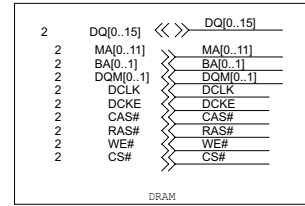
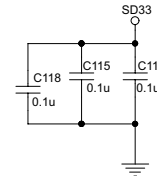
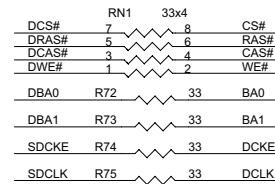
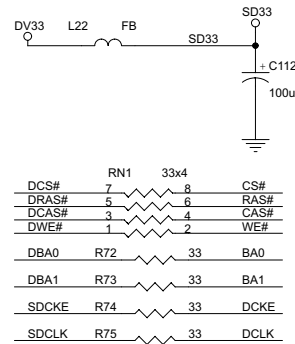
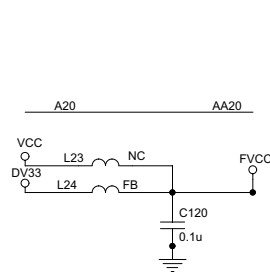
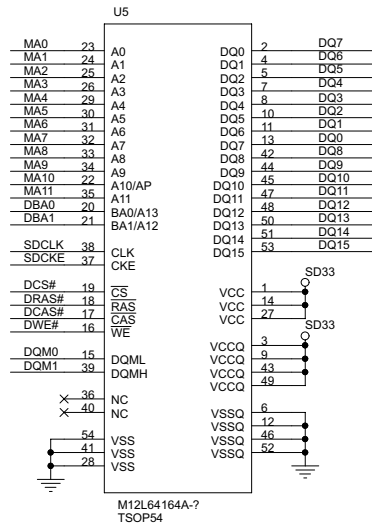
ESTÁGIO ALIMENTAÇÃO/MUTE PCI PRINCIPAL



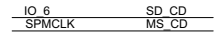
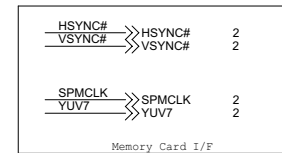
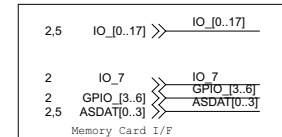
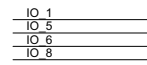
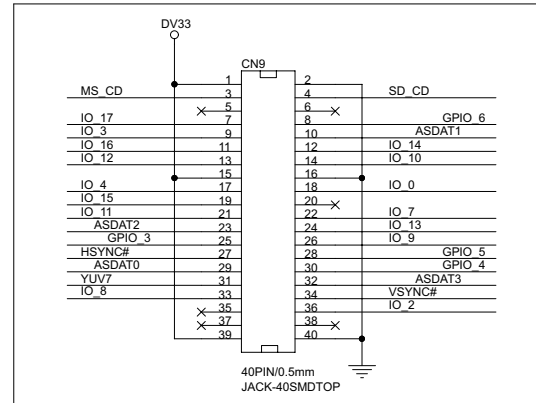
### MT1389HD Pin Assignment v1.5

ALRCK	>>>	ALRCK	5
ABCK	>>>	ABCK	5
ASDATA3	>>>	ASDATA3	3.5
HSYNC#	>>>	HSYNC#	3
SPRCK	>>>	SPRCK	1
SPDATA_IN	>>>	SPDATA_IN	5
SPCLK	>>>	SPCLK	3
YUV7	>>>	SPCLK	1
IO_17	>>>	IO_17	3
IO_10	>>>	IO_10	3.5
GPIO [3..6]	>>>	GPIO [3..6]	3
ASDATA[0..3]	>>>	ASDATA[0..3]	3.5
CARD0_INTERFACE	>>>	CARD0_INTERFACE	3.5
<b>4MUTE_DAC</b>			
VCC	>>>	VCC	1,3,4,5
AVCC	>>>	AVCC	1,3,4,5
DV33	>>>	DV33	1,3,4
RES1#	>>>	RES1#	3
NO_VCC	>>>	NO_VCC	1
LDO_AV33	>>>	LDO_AV33	1
RFV33	>>>	RFV33	1
#P33	>>>	#P33	1,5,4,5
GND	>>>	GND	1,3,4,5
<b>VIDEO INTERFACE</b>			
YUV1[6]	>>>	YUV1[6]	4
YUV2[6]	>>>	YUV2[6]	4
YUV3[6]	>>>	YUV3[6]	4
YUV4[6]	>>>	YUV4[6]	4
YUV5[6]	>>>	YUV5[6]	4
YUV6[6]	>>>	YUV6[6]	4
YUV7[6]	>>>	YUV7[6]	4
YUV8[6]	>>>	YUV8[6]	4
YUV9[6]	>>>	YUV9[6]	4
YUV10[6]	>>>	YUV10[6]	4
YUV11[6]	>>>	YUV11[6]	4
YUV12[6]	>>>	YUV12[6]	4
YUV13[6]	>>>	YUV13[6]	4
YUV14[6]	>>>	YUV14[6]	4
YUV15[6]	>>>	YUV15[6]	4
YUV16[6]	>>>	YUV16[6]	4
YUV17[6]	>>>	YUV17[6]	4
YUV18[6]	>>>	YUV18[6]	4
YUV19[6]	>>>	YUV19[6]	4
YUV20[6]	>>>	YUV20[6]	4
YUV21[6]	>>>	YUV21[6]	4
YUV22[6]	>>>	YUV22[6]	4
YUV23[6]	>>>	YUV23[6]	4
YUV24[6]	>>>	YUV24[6]	4
YUV25[6]	>>>	YUV25[6]	4
YUV26[6]	>>>	YUV26[6]	4
YUV27[6]	>>>	YUV27[6]	4
YUV28[6]	>>>	YUV28[6]	4
YUV29[6]	>>>	YUV29[6]	4
YUV30[6]	>>>	YUV30[6]	4
YUV31[6]	>>>	YUV31[6]	4
YUV32[6]	>>>	YUV32[6]	4
YUV33[6]	>>>	YUV33[6]	4
YUV34[6]	>>>	YUV34[6]	4
YUV35[6]	>>>	YUV35[6]	4
YUV36[6]	>>>	YUV36[6]	4
YUV37[6]	>>>	YUV37[6]	4
YUV38[6]	>>>	YUV38[6]	4
YUV39[6]	>>>	YUV39[6]	4
YUV40[6]	>>>	YUV40[6]	4
YUV41[6]	>>>	YUV41[6]	4
YUV42[6]	>>>	YUV42[6]	4
YUV43[6]	>>>	YUV43[6]	4
YUV44[6]	>>>	YUV44[6]	4
YUV45[6]	>>>	YUV45[6]	4
YUV46[6]	>>>	YUV46[6]	4
YUV47[6]	>>>	YUV47[6]	4
YUV48[6]	>>>	YUV48[6]	4
YUV49[6]	>>>	YUV49[6]	4
YUV50[6]	>>>	YUV50[6]	4
YUV51[6]	>>>	YUV51[6]	4
YUV52[6]	>>>	YUV52[6]	4
YUV53[6]	>>>	YUV53[6]	4
YUV54[6]	>>>	YUV54[6]	4
YUV55[6]	>>>	YUV55[6]	4
YUV56[6]	>>>	YUV56[6]	4
YUV57[6]	>>>	YUV57[6]	4
YUV58[6]	>>>	YUV58[6]	4
YUV59[6]	>>>	YUV59[6]	4
YUV60[6]	>>>	YUV60[6]	4
YUV61[6]	>>>	YUV61[6]	4
YUV62[6]	>>>	YUV62[6]	4
YUV63[6]	>>>	YUV63[6]	4
YUV64[6]	>>>	YUV64[6]	4
YUV65[6]	>>>	YUV65[6]	4
YUV66[6]	>>>	YUV66[6]	4
YUV67[6]	>>>	YUV67[6]	4
YUV68[6]	>>>	YUV68[6]	4
YUV69[6]	>>>	YUV69[6]	4
YUV70[6]	>>>	YUV70[6]	4
YUV71[6]	>>>	YUV71[6]	4
YUV72[6]	>>>	YUV72[6]	4
YUV73[6]	>>>	YUV73[6]	4
YUV74[6]	>>>	YUV74[6]	4
YUV75[6]	>>>	YUV75[6]	4
YUV76[6]	>>>	YUV76[6]	4
YUV77[6]	>>>	YUV77[6]	4
YUV78[6]	>>>	YUV78[6]	4
YUV79[6]	>>>	YUV79[6]	4
YUV80[6]	>>>	YUV80[6]	4
YUV81[6]	>>>	YUV81[6]	4
YUV82[6]	>>>	YUV82[6]	4
YUV83[6]	>>>	YUV83[6]	4
YUV84[6]	>>>	YUV84[6]	4
YUV85[6]	>>>	YUV85[6]	4
YUV86[6]	>>>	YUV86[6]	4
YUV87[6]	>>>	YUV87[6]	4
YUV88[6]	>>>	YUV88[6]	4
YUV89[6]	>>>	YUV89[6]	4
YUV90[6]	>>>	YUV90[6]	4
YUV91[6]	>>>	YUV91[6]	4
YUV92[6]	>>>	YUV92[6]	4
YUV93[6]	>>>	YUV93[6]	4
YUV94[6]	>>>	YUV94[6]	4
YUV95[6]	>>>	YUV95[6]	4
YUV96[6]	>>>	YUV96[6]	4
YUV97[6]	>>>	YUV97[6]	4
YUV98[6]	>>>	YUV98[6]	4
YUV99[6]	>>>	YUV99[6]	4
YUV100[6]	>>>	YUV100[6]	4

### CHIP SET MT1389HD PCI PRINCIPAL

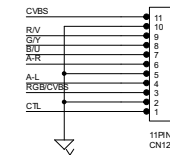
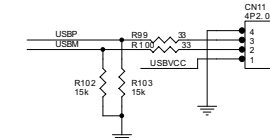
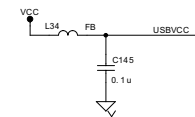
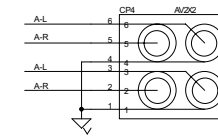
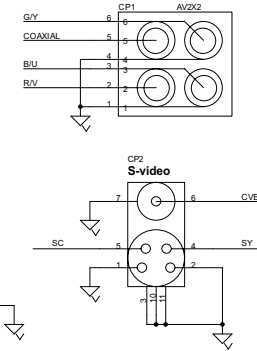
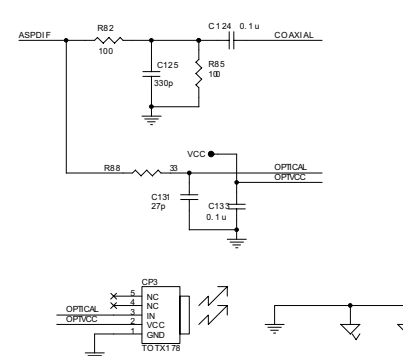
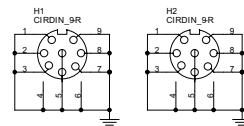
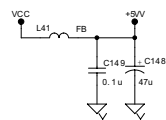
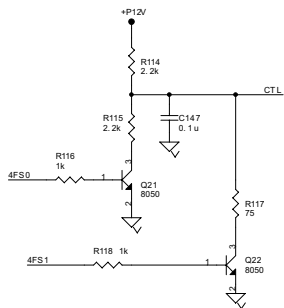
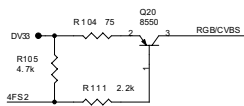
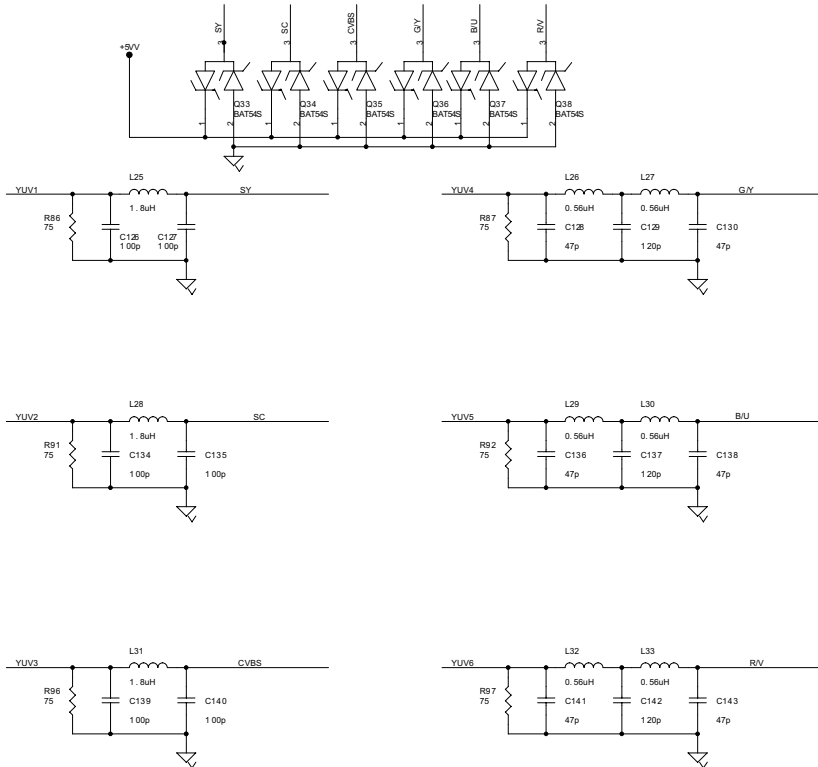
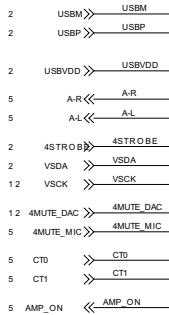
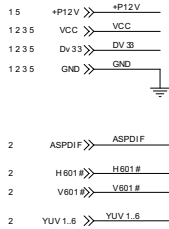


Memory Card Interface



MEMÓRIAS FLASH E SDRAM PCI PRINCIPAL

REFERÊNCIA ESQUEMA = 4

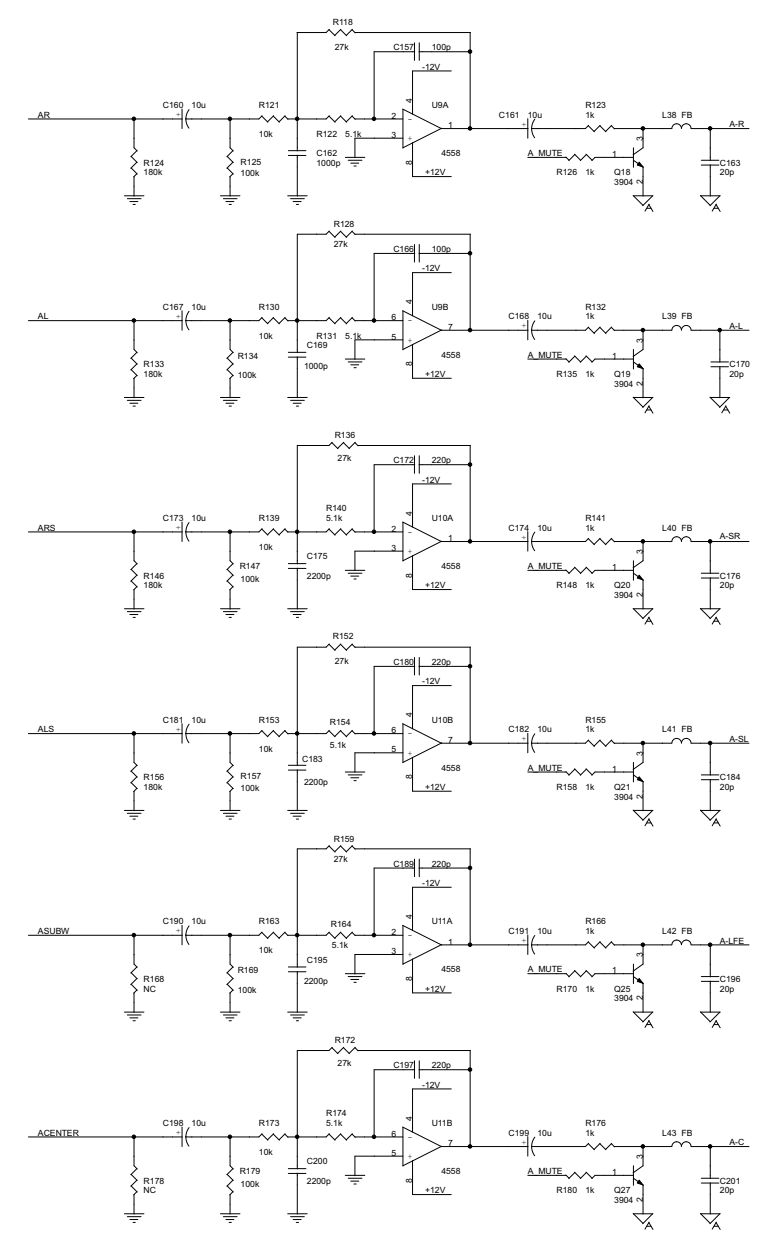
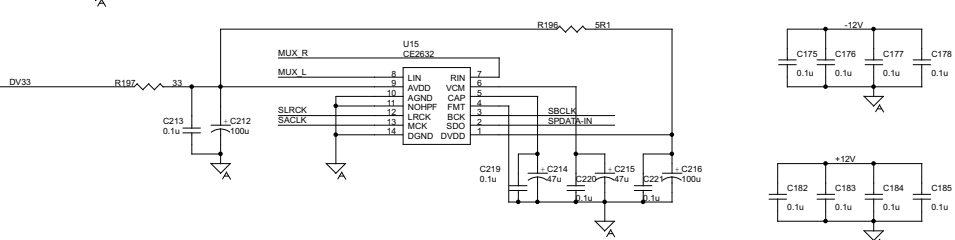
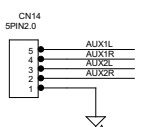
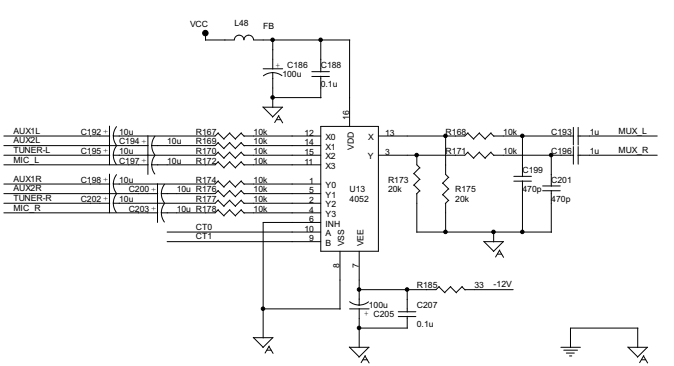
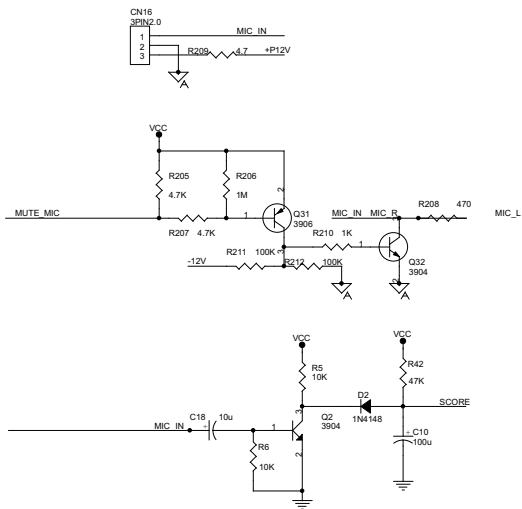


New Parts



REFERÊNCIA ESQUEMA = 5

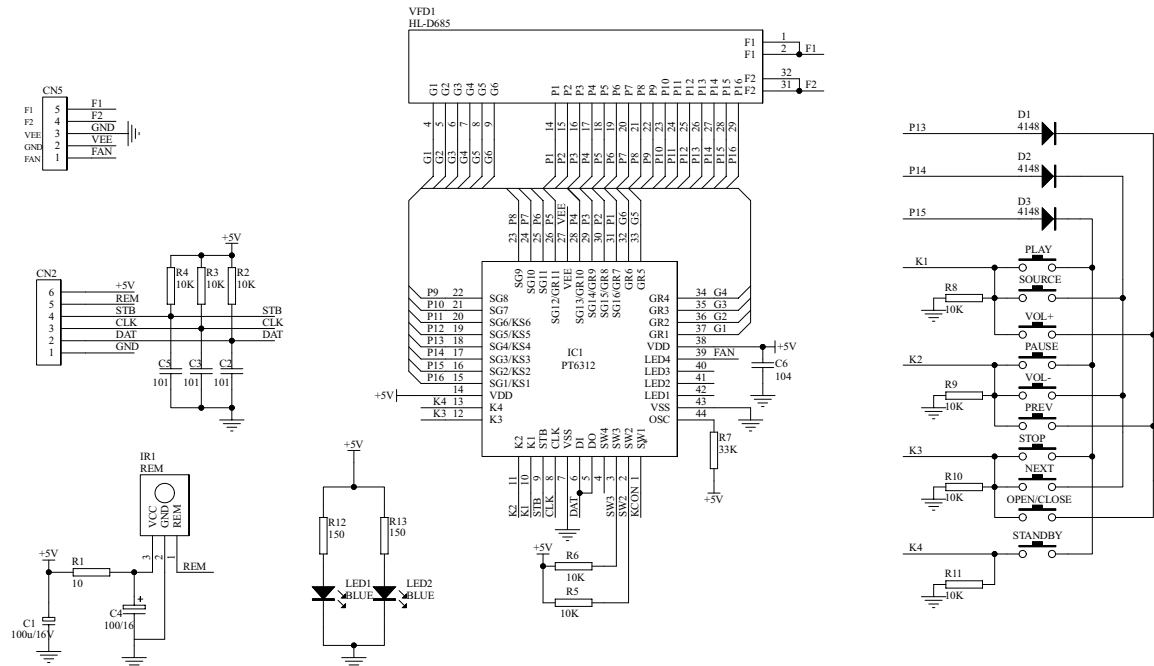
- 1 -12V >> -12V
- 1 +12V >> +12V
- 1,2,3,4 VCC >> VCC
- 1,4 +P12V >> +P12V
- 1,2,3,4 DV33 >> DV33
- 1,2,3,4 GND >> GND
- 1 A\_MUTE >> A\_MUTE
- 2 AL >> AL
- 2 AR >> AR
- 2 ALS >> ALS
- 2 ARS >> ARS
- 2 ACENTER >> ACENTER
- 2 ASUBW >> ASUBW
- 1,2 4MUTE\_DAC >> 4MUTE\_DAC
- 2 SCORE >> SCORE
- 4 A-R >> A-R
- 4 A-L >> A-L
- 1,2,3 SCL >> SCL
- 1,2,3 SDA >> SDA
- 2,3 IO\_ID\_17 >> IO\_ID\_17
- 4 AMP\_ON >> AMP\_ON
- 2 ABCK >> ABCK R156 33 SBCLK
- 2 ALRCK >> ALRCK R157 33 SLRCK
- 2 ACLK >> ACLK R158 33 SACLK
- 2,3 ASDAT3 >> ASDAT3 R160 33 SDAT3
- 2 SPDATA-IN >> SPDATA-IN
- 4 CT0 >> CT0
- 4 CT1 >> CT1
- 1 TUNER-L >> TUNER-L
- 1 TUNER-R >> TUNER-R



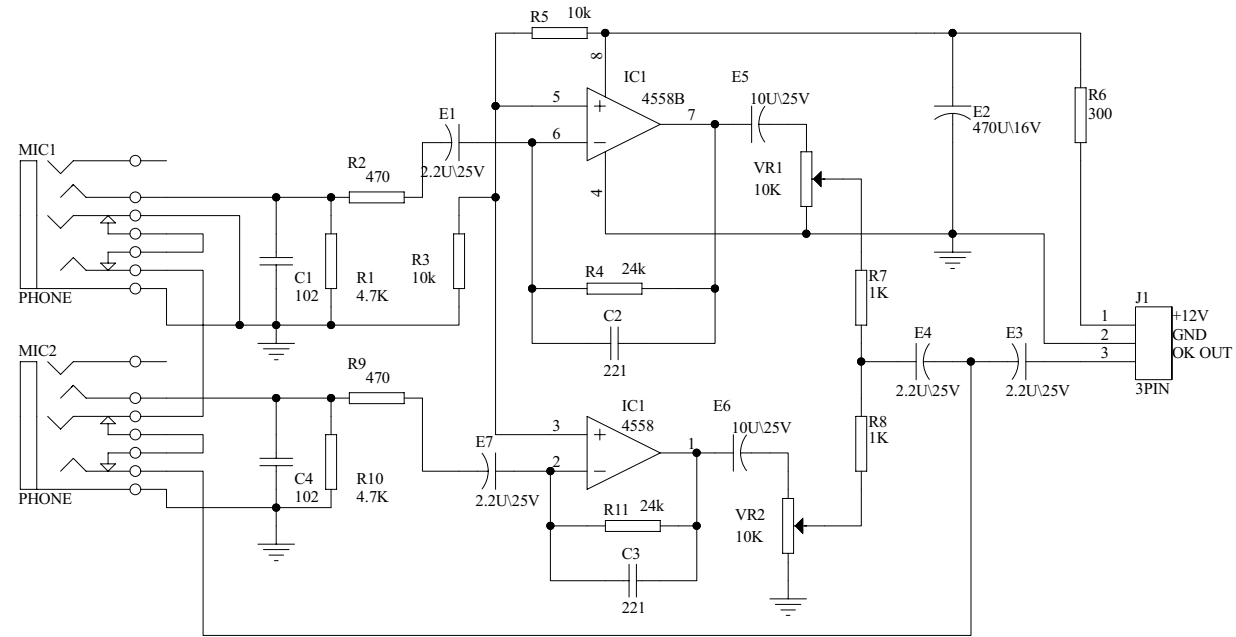
SAÍDA DE ÁUDIO/CONECTORES  
PCI PRINCIPAL

New Parts

# DIAGRAMA ELÉTRICO PCI DISPLAY/TECLADO



# DIAGRAMA ELÉTRICO PCI KARAOKÊ



New Parts